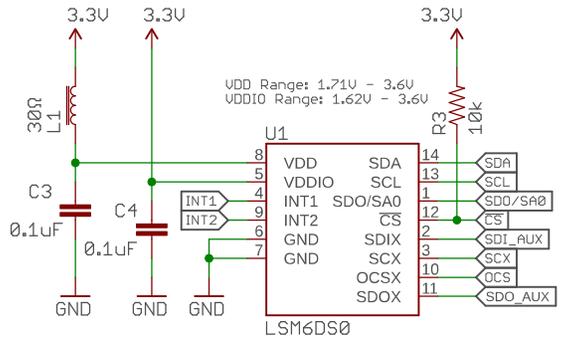


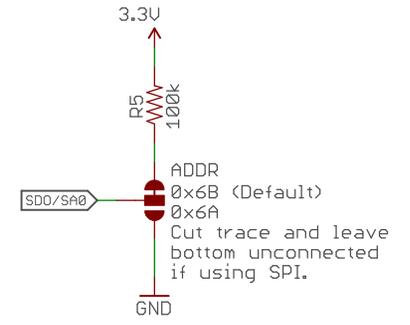
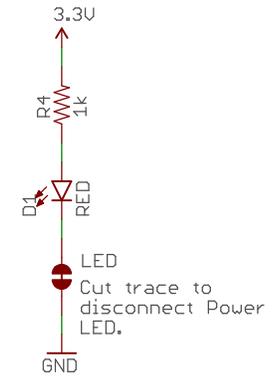
Accelerometer - LSM6DS0



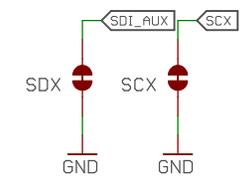
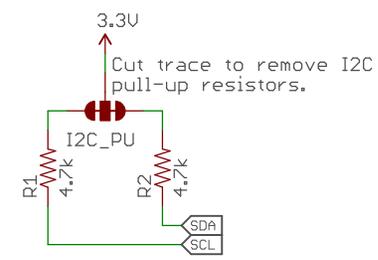
UDD Range: 1.71V - 3.6V
UDDIO Range: 1.62V - 3.6V

SERIAL MODES
 MODE1: Peripheral-only mode
 I2C or SPI
 MODE2: Sensor Hub mode
 I2C or SPI with controller I2C port
 MODE3: AUX SPI mode
 I2C and SPI access (Multi-read)

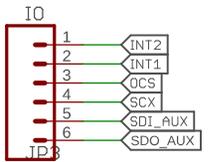
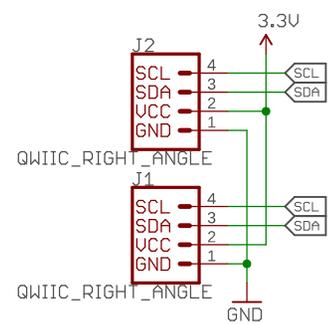
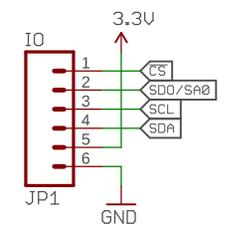
Jumpers



If downstream SPI devices are hosted by the LSM6DS0, release SCx and SDx from ground by cutting traces.



Connectors



Released under the Creative Commons Attribution Share-Alike 4.0 License
<https://creativecommons.org/licenses/by-sa/4.0/>

TITLE: SparkFun_6DoF_LSM6DS0

Design by: Marshall Taylor
 Revised by: Elias Santistevan

REV: v10

Date: 5/4/2021 12:30 PM

Sheet: 1/1