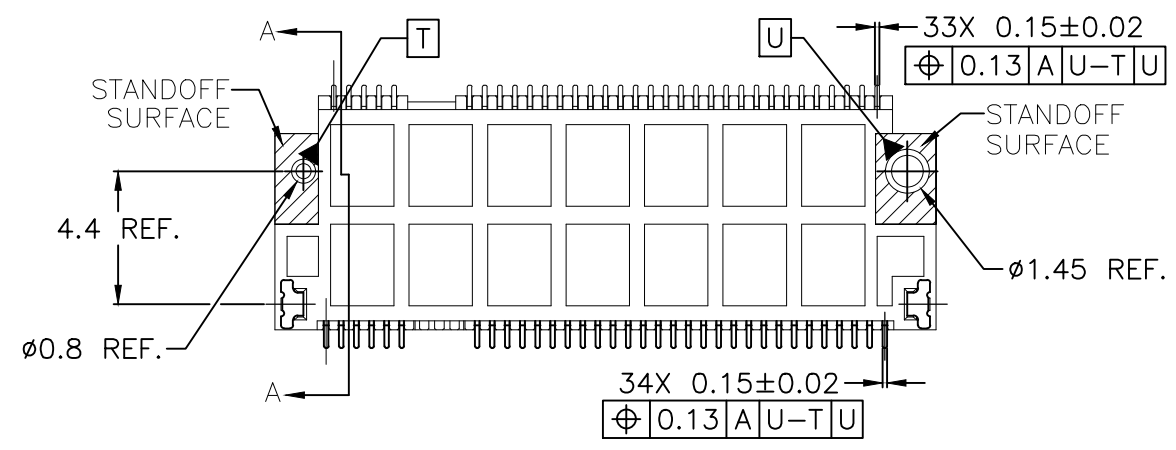
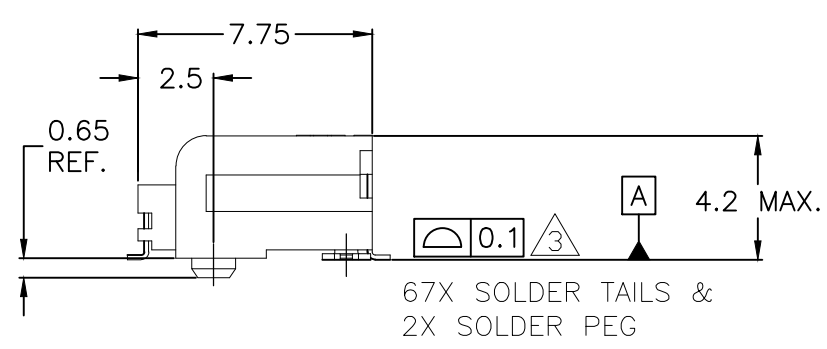
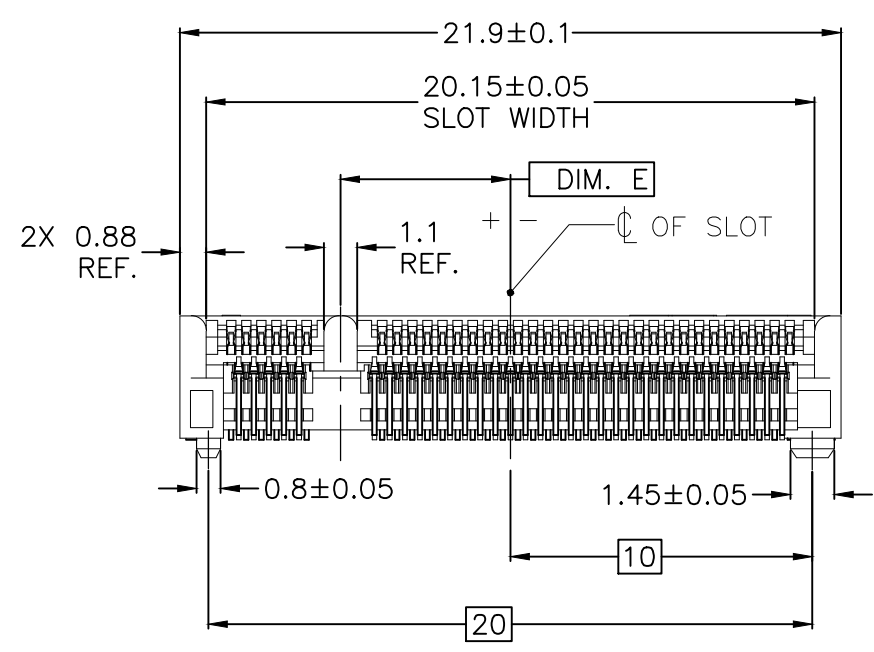
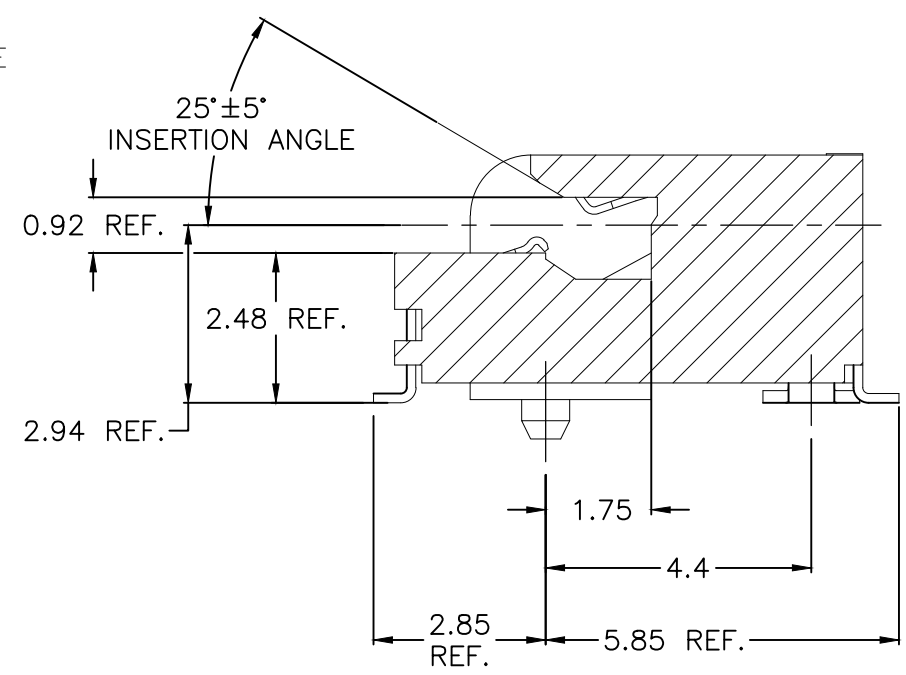
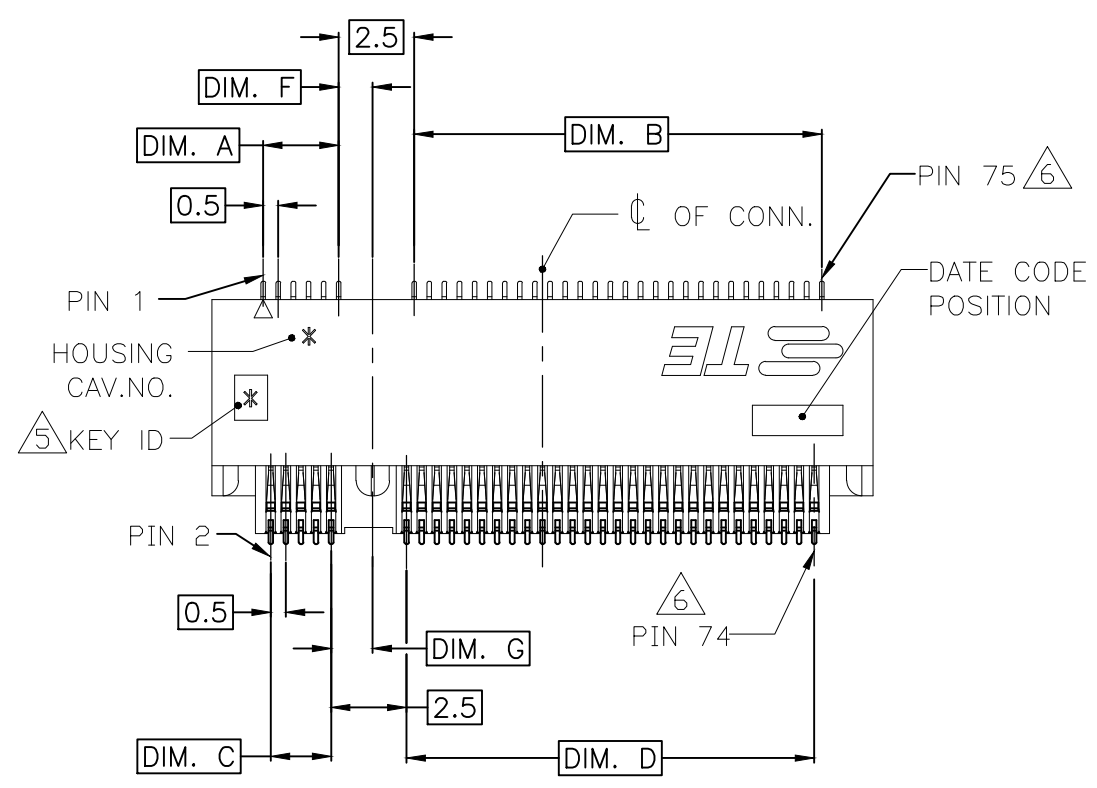


THIS DRAWING IS UNPUBLISHED. RELEASED FOR PUBLICATION  
 © COPYRIGHT - By - ALL RIGHTS RESERVED.

REVISIONS					
P	LTR	DESCRIPTION	DATE	DWN	APVD
	B3	REVISED PER ECR-19-000415	27SEP2019	E.Z	W.H



- NOTES:
- MATERIAL:
    - HOUSING : HIGH TEMPERATURE THERMOPLASTIC UL94V-0, COLOR: BLACK.
    - CONTACT: COPPER ALLOY.
    - SOLDER PEG: STAINLESS STEEL.
  - FINISH:
    - CONTACT: UNDERCOAT NICKEL 50u" min. ALL OVER; MATING AREA: GOLD PLATING, THE THICKNESS SEE TABLE LIST; SOLDERABLE AREA: GOLDFLASH.
    - SOLDER PEG: UNDERCOAT: NICKEL 50u" min. ALL OVER SOLDERABLE AREA: MATTE TIN 100u" min.
  - COPLANARITY: 0.10mm MAX.(BEFORE SOLDERING).
  - ACCEPTED MODULE BASED ON INDUSTRY STD
  - KEY ID, "\*" IS A CAPITAL LETTER PER THE PART NO.
  - THE PIN NO. DEFINITIONS ARE ACCORDING TO PCB FOOTPRINT, THE ACTUAL PIN QUANTITY IS ONLY 67 POS. FOR KEY TAKING OUT 8 POS.
  - THE PRODUCT IS RoHS COMPLIANT, BR 900PPM MAX., CL 900PPM MAX. BR+CL 1500 PPM MAX.
  - MINUS MEANS  $\phi$  OF KEY IS ON THE RIGHT SIDE OF CONN.  $\phi$  IN PAGE 1.

THIS DRAWING IS A CONTROLLED DOCUMENT.		DWN SIMON WU 90CT2012	TE Connectivity Ltd.			
DIMENSIONS: mm		CHK SIMON LI 90CT2012				
TOLERANCES UNLESS OTHERWISE SPECIFIED:		APVD COREL WANG 90CT2012	NAME			
0 PLC ± 0.30 1 PLC ± 0.30 2 PLC ± 0.20 3 PLC ± 0.10 4 PLC ± - ANGLES ± 3°		PRODUCT SPEC SEE TABLE	M.2(NGFF) MINI CARD MOUNTING TYPE 0.50mm PITCH 67 POS. 4.2mm HEIGHT FOR DOUBLE SIDED MODULE			
MATERIAL		APPLICATION SPEC 114-115006	SIZE	CAGE CODE	DRAWING NO	RESTRICTED TO
FINISH		WEIGHT 0.64 G	A3	00779	C-2199230	-
CUSTOMER DRAWING			SCALE 4:1	SHEET 1 of 4	REV B3	

THIS DRAWING IS UNPUBLISHED.

RELEASED FOR PUBLICATION

-. - .


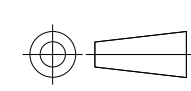
REVISIONS

© COPYRIGHT - By - ALL RIGHTS RESERVED.

P	LTR	DESCRIPTION	DATE	DWN	APVD
-	-	SEE SHEET 1	-	-	-

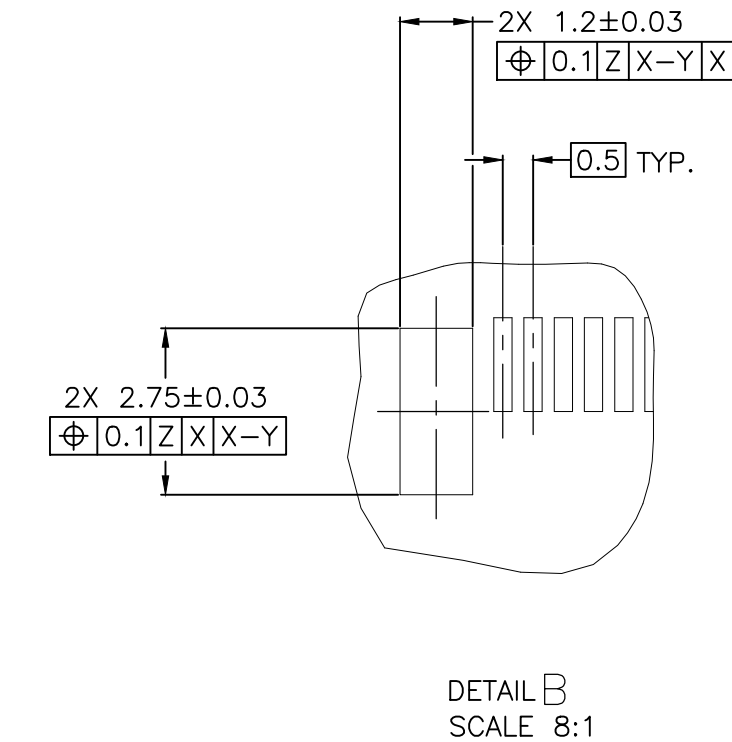
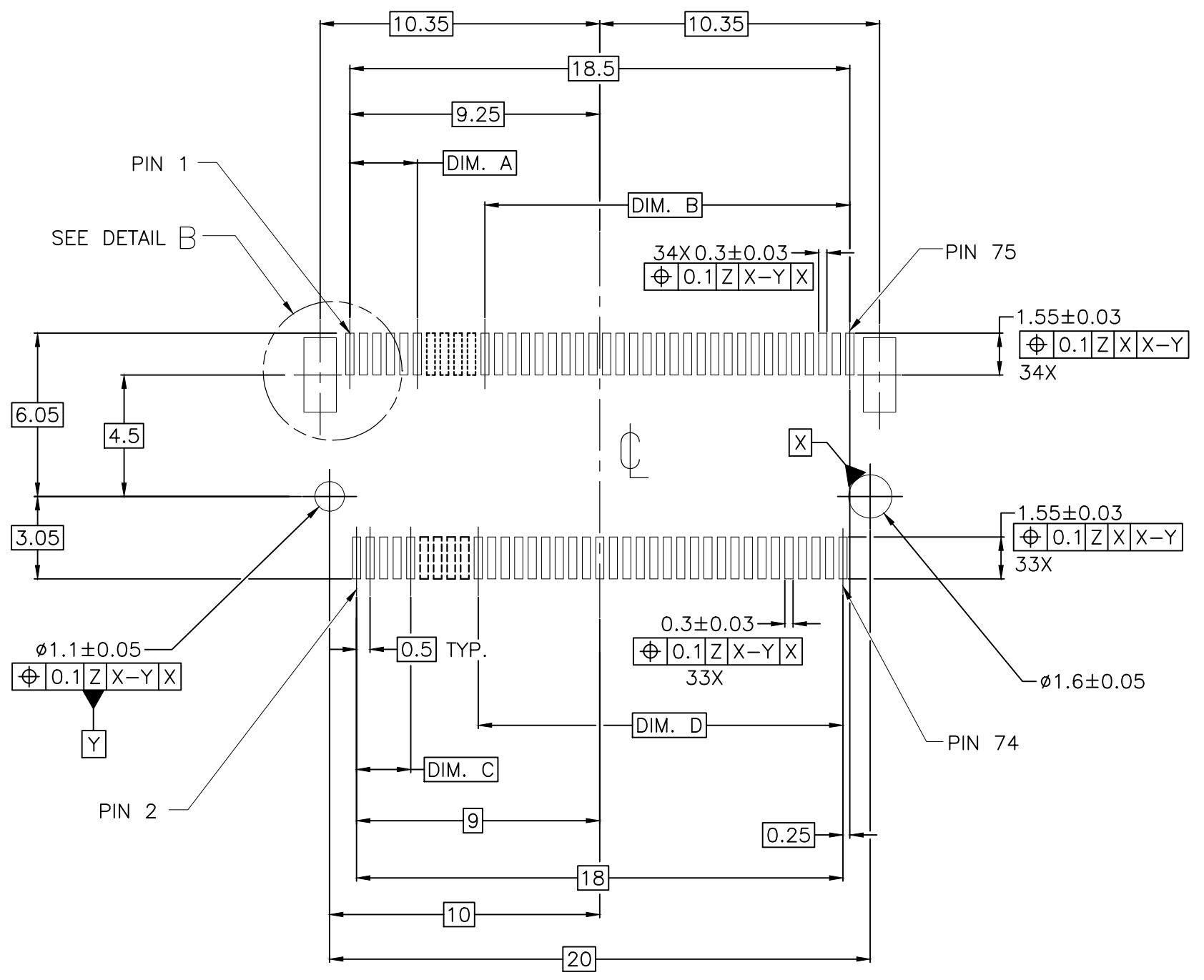


KEY ID.	PRODUCT SPEC.	GOLD SPEC.	DIM. G	DIM. F	DIM. E	DIM. D	DIM. C	DIM. B	DIM. A	PART NO.
M	108-115042	50u" MIN.	1.125	1.375	-6.125	1.5	14.0	2.0	14.0	1-2199230-7
		30u" MIN.								1-2199230-6
		15u" MIN.								1-2199230-5
		10u" MIN.								1-2199230-4
	108-115049	GOLD FLASH								1-2199230-3
A	108-115042	10u" MIN.			6.625	14.5	1.0	14.5	1.5	1-2199230-2
E					2.625	10.5	5.0	10.5	5.5	1-2199230-1
B					5.625	13.5	2.0	13.5	2.5	1-2199230-0
A	108-115042	30u" MIN.	1.375	1.125	6.625	14.5	1.0	14.5	1.5	2199230-9
		15u" MIN.								2199230-8
	108-115049	GOLD FLASH								2199230-7
E	108-115042	30u" MIN.			2.625	10.5	5.0	10.5	5.5	2199230-6
B					5.625	13.5	2.0	13.5	2.5	2199230-5
E					2.625	10.5	5.0	10.5	5.5	2199230-4
B					5.625	13.5	2.0	13.5	2.5	2199230-3
E	108-115049	GOLD FLASH			2.625	10.5	5.0	10.5	5.5	2199230-2
B					5.625	13.5	2.0	13.5	2.5	2199230-1

THIS DRAWING IS A CONTROLLED DOCUMENT.		DWN SIMON WU 90CT2012	 TE Connectivity Ltd.				
		CHK SIMON LI 90CT2012					
DIMENSIONS: mm 		TOLERANCES UNLESS OTHERWISE SPECIFIED: 0 PLC ± 0.30 1 PLC ± 0.30 2 PLC ± 0.20 3 PLC ± 0.10 4 PLC ± - ANGLES ± 3°	APVD COREL WANG 90CT2012 PRODUCT SPEC	NAME M.2(NGFF) MINI CARD MOUNTING TYPE 0.50mm PITCH 67 POS. 4.2mm HEIGHT FOR DOUBLE SIDED MODULE			
MATERIAL		FINISH	APPLICATION SPEC	SIZE	CAGE CODE	DRAWING NO	RESTRICTED TO
-		-	WEIGHT	A3	00779	C-2199230	-
CUSTOMER DRAWING				SCALE	SHEET	REV	
				4:1	2 of 4	B3	


THIS DRAWING IS UNPUBLISHED. RELEASED FOR PUBLICATION  
 © COPYRIGHT - By - ALL RIGHTS RESERVED.

REVISIONS				
P	LTR	DESCRIPTION	DATE	APVD
-	-	SEE SHEET 1	-	-



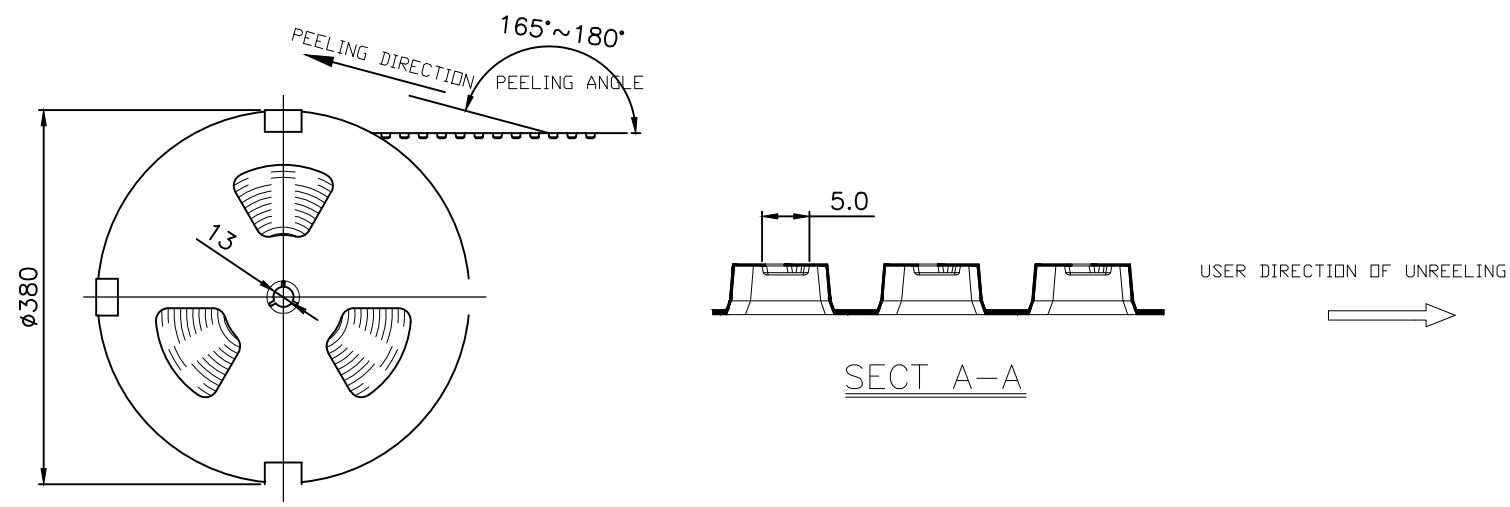
RECOMMENDED NGFF MINI CARD MOUNTING TYPE\_SMT\_PCB OUTLINE  
 DATUM Z: PCB SOLDER SURFACE

M	1.5	14.0	2.0	14.0
E	10.5	5.0	10.5	5.5
B	13.5	2.0	13.5	2.5
A	14.5	1.0	14.5	1.5
KEY ID.	DIM. D	DIM. C	DIM. B	DIM. A

THIS DRAWING IS A CONTROLLED DOCUMENT.		DWN SIMON_WU 90CT2012	 TE Connectivity Ltd.	
DIMENSIONS: mm		CHK SIMON_LI 90CT2012		
TOLERANCES UNLESS OTHERWISE SPECIFIED:		APVD COREL_WANG 90CT2012	NAME M.2(NGFF) MINI CARD MOUNTING TYPE 0.50mm PITCH 67 POS. 4.2mm HEIGHT FOR DOUBLE SIDED MODULE	
0 PLC ± 0.30 1 PLC ± 0.30 2 PLC ± 0.20 3 PLC ± 0.10 4 PLC ± - ANGLES ± 3°		PRODUCT SPEC	SIZE A3	
MATERIAL		APPLICATION SPEC	CAGE CODE 00779	DRAWING NO C-2199230
FINISH		WEIGHT	RESTRICTED TO	
		CUSTOMER DRAWING	SCALE 5:1	SHEET 3 OF 4
			REV B3	

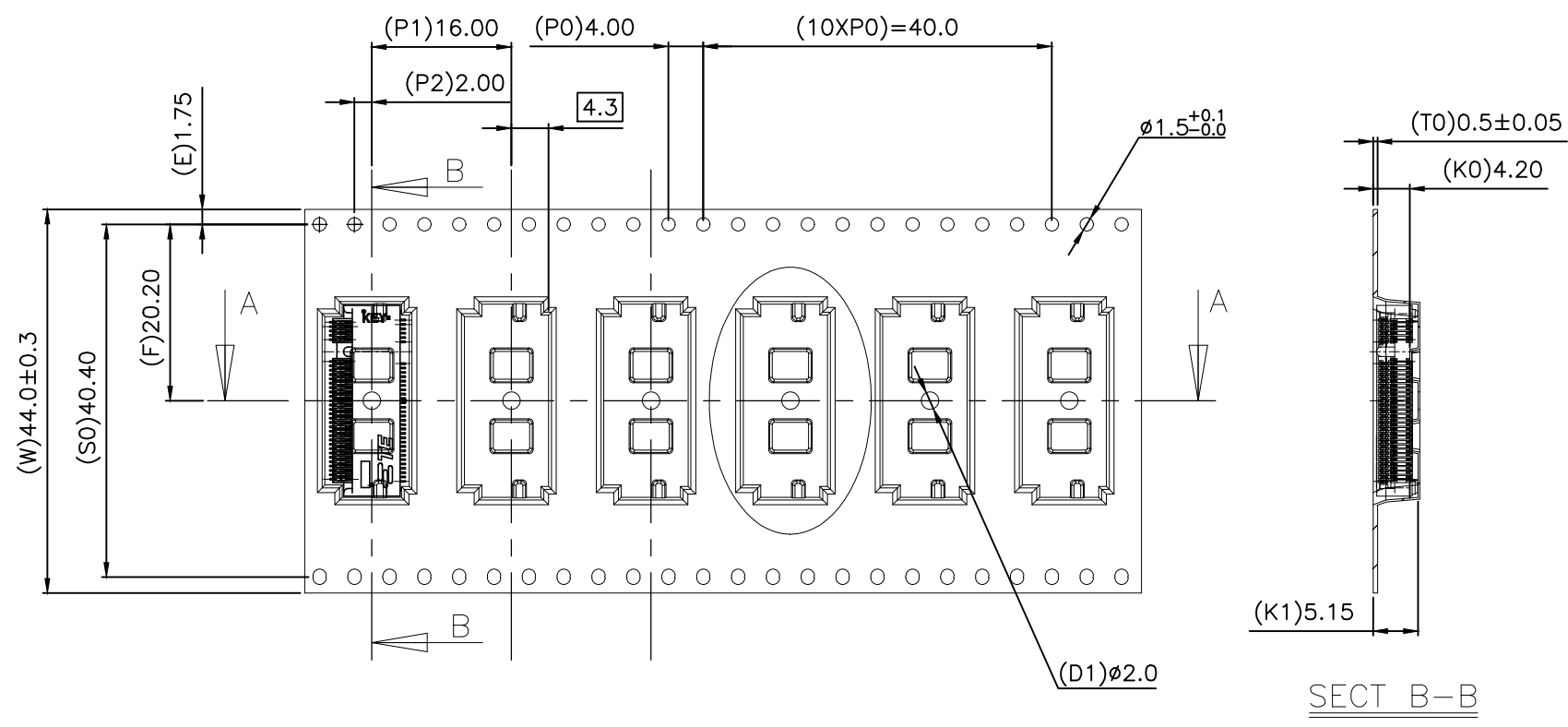
THIS DRAWING IS UNPUBLISHED. RELEASED FOR PUBLICATION  
 © COPYRIGHT - By - ALL RIGHTS RESERVED.


REVISIONS					
P	LTR	DESCRIPTION	DATE	DWN	APVD
-	-	SEE SHEET 1	-	-	-



NOTES: (APPLIED TO CURRENT SHEET)

1. THE DIRECTION OF EACH CONNECTOR ON A EMBOSS IS REFERRED TO THIS DRAWING.
2. GENERAL TOLERANCE:  $\pm 0.5$ ,  $\pm 3^\circ$
3. PACKAGED IN EMBOSS TAPE AND PLASTIC RELL 1000PCS PER REEL.



THIS DRAWING IS A CONTROLLED DOCUMENT.		DWN SIMON WU 90CT2012	 TE Connectivity Ltd.			
DIMENSIONS: mm		CHK SIMON LI 90CT2012				
TOLERANCES UNLESS OTHERWISE SPECIFIED:		APVD COREL WANG 90CT2012				
0 PLC $\pm 0.30$ 1 PLC $\pm 0.30$ 2 PLC $\pm 0.20$ 3 PLC $\pm 0.10$ 4 PLC $\pm -$ ANGLES $\pm 3^\circ$		NAME				
MATERIAL		FINISH	M.2(NGFF) MINI CARD MOUNTING TYPE 0.50mm PITCH 67 POS. 4.2mm HEIGHT FOR DOUBLE SIDED MODULE			
-		-	SIZE	CAGE CODE	DRAWING NO	RESTRICTED TO
-		-	A3	00779	C-2199230	-
CUSTOMER DRAWING			SCALE	SHEET	REV	
-			N/A	4 OF 4	B3	