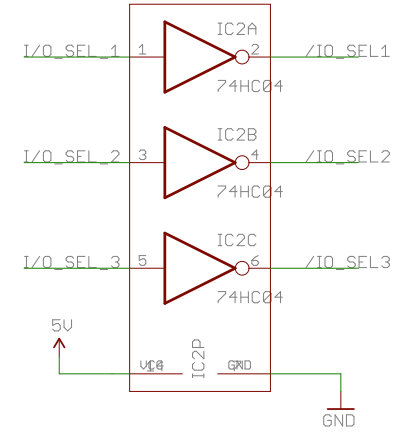
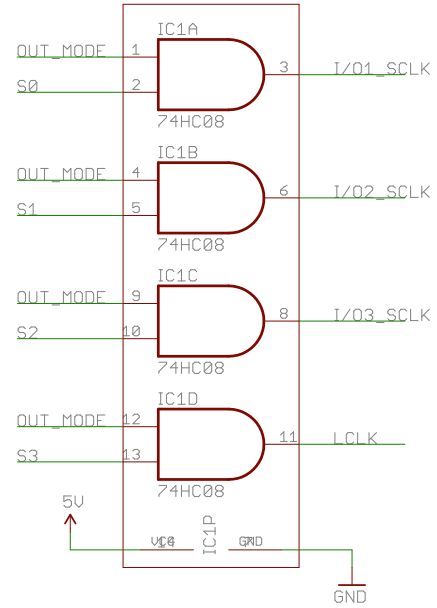
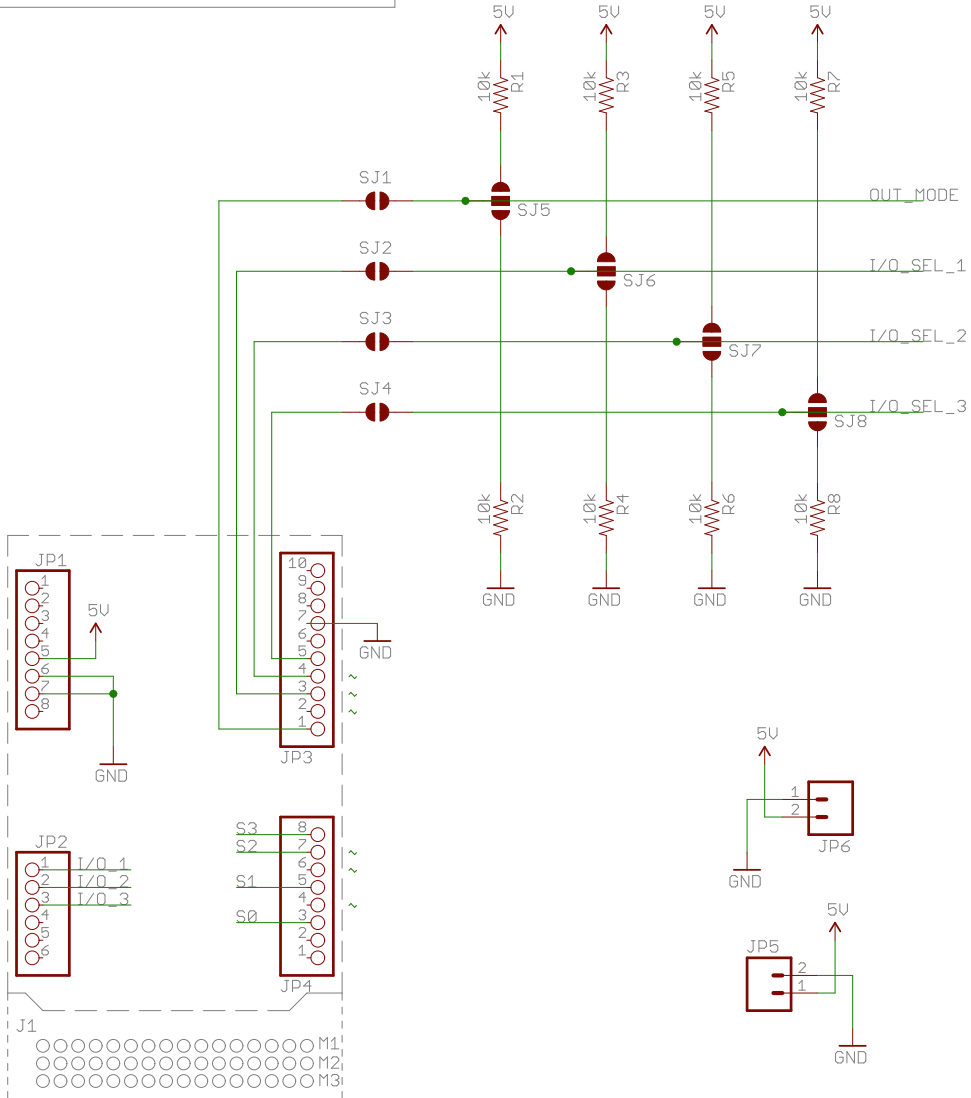


Sheet 1:
Connectors & Control Logic

Sheet 2:
Mux/Latch 1 and 2

Sheet 3:
Mux/Latch 3



MAYHEW LABS LLC

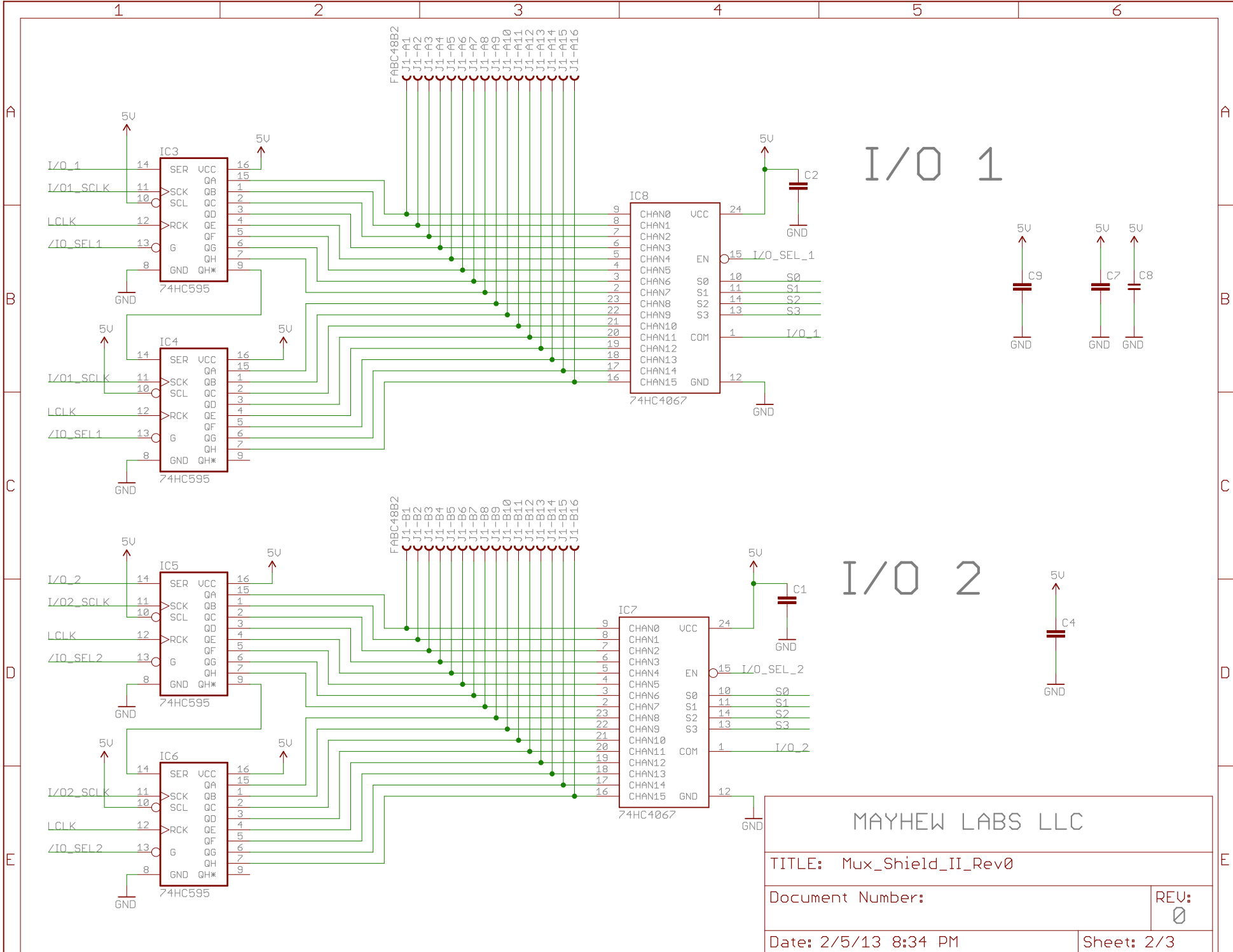
TITLE: Mux_Shield_II_Rev0

Document Number:

REV:
0

Date: 2/5/13 8:34 PM

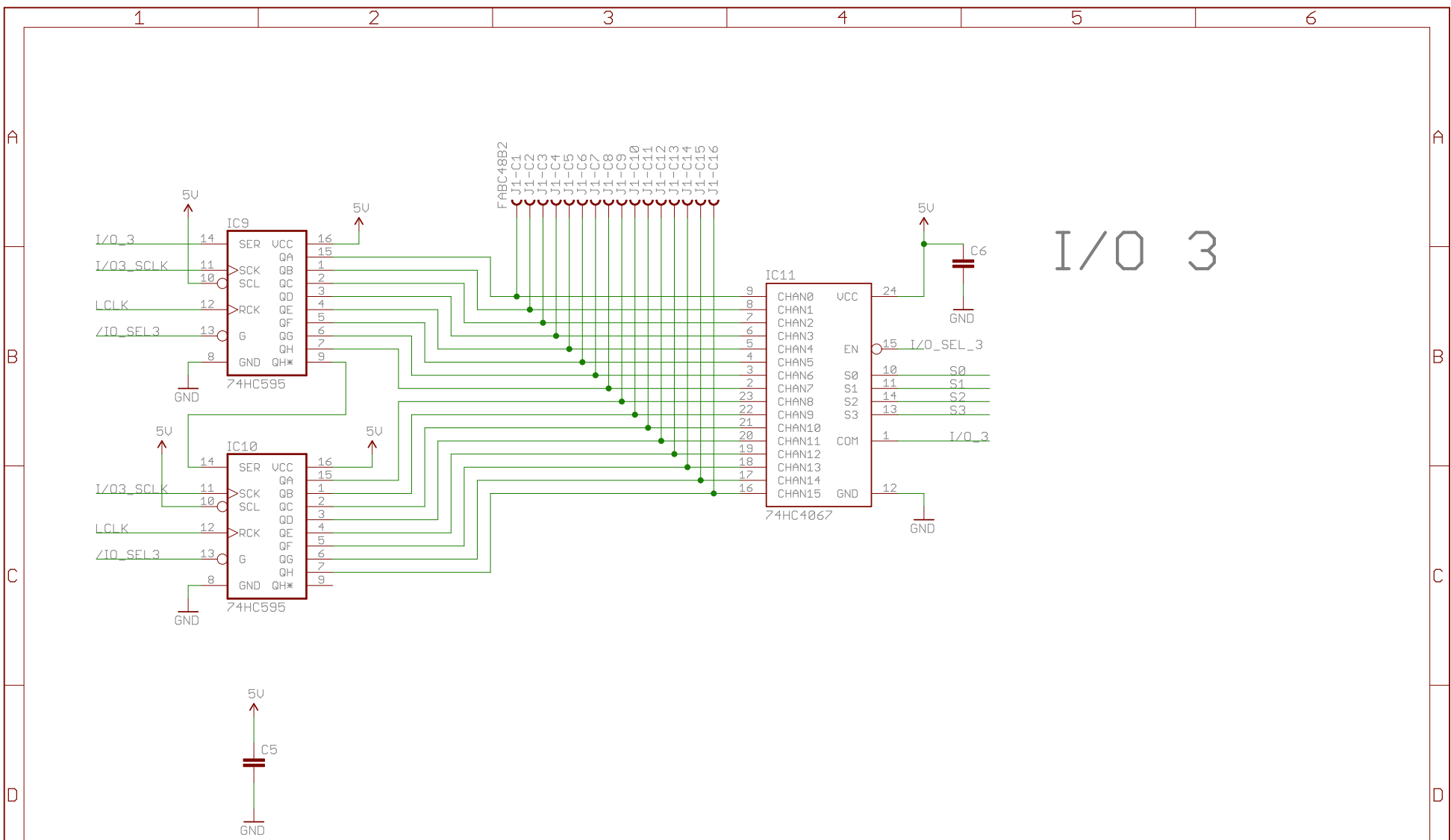
Sheet: 1/3



I/O 1

I/O 2

MAYHEW LABS LLC	
TITLE: Mux_Shield_II_Rev0	
Document Number:	REV: 0
Date: 2/5/13 8:34 PM	Sheet: 2/3



MAYHEW LABS LLC

TITLE: Mux_Shield_II_Rev0

Document Number:

REV:
0

Date: 2/5/13 8:34 PM

Sheet: 3/3