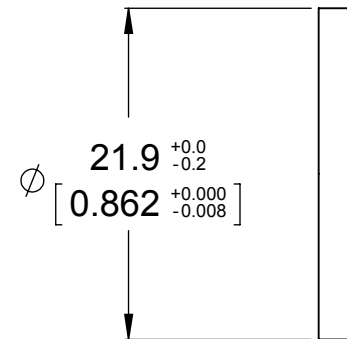
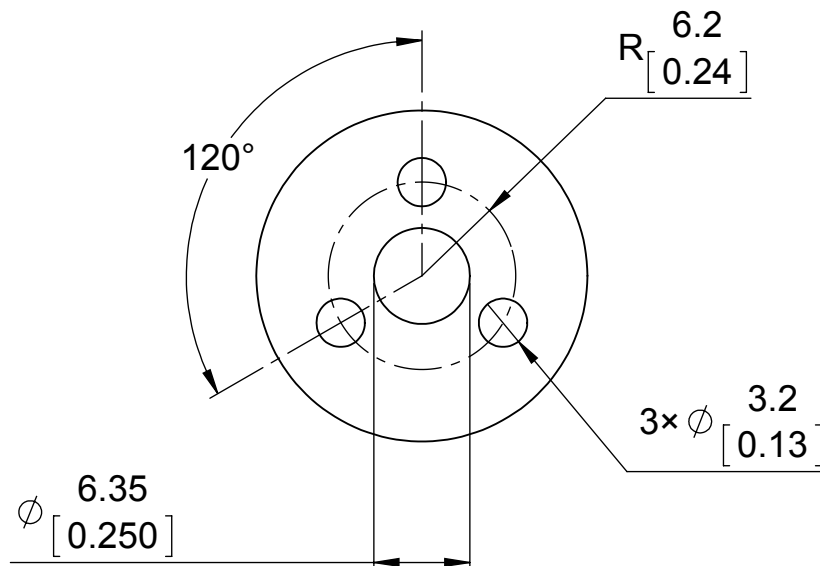
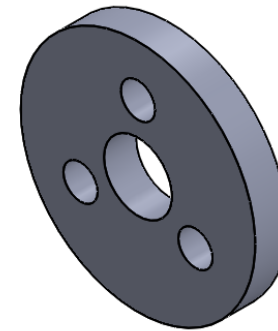
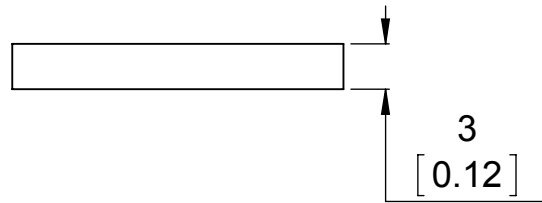


1. To get the specified scale, select 100% in print settings.

Scale: 2:1

<a href="http://www.pololu.com/product/2674">http://www.pololu.com/product/2674</a>		
Name: Pololu Aluminum Scooter Wheel Adapter for 6mm Shaft		Item number: 2674
Drawing date: 01 Jul 2014	Part dev code: dwa01a	 © 2014 Pololu Corporation
Units: mm [in]	Material: aluminum	



<http://www.pololu.com/product/2674>

Name: Pololu Aluminum Scooter Wheel Adapter for 6mm Shaft

Item number:  
2674

Drawing date:  
01 Jul 2014

Part dev code:  
dwa01b

Units: mm  
[in]

Material:  
aluminum

  
© 2014 Pololu Corporation

1. To get the specified scale, select 100% in print settings.

Scale: 2:1