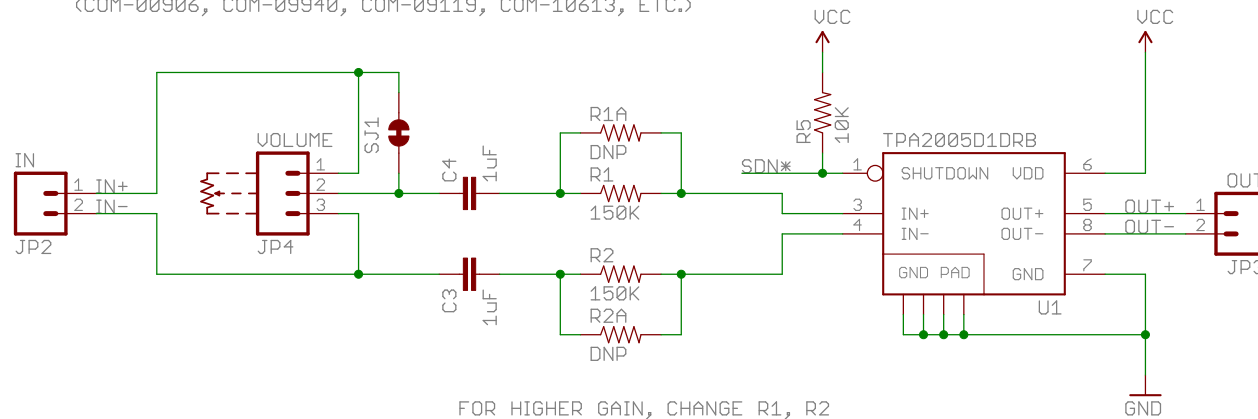
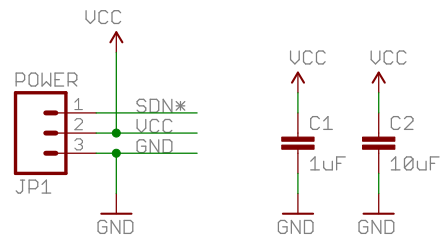


OPTIONAL EXTERNAL VOLUME CONTROL
 OPEN SOLDER JUMPER SJ1 AND ATTACH 10K POT TO JP4
 (COM-00906, COM-09940, COM-09119, COM-10613, ETC.)



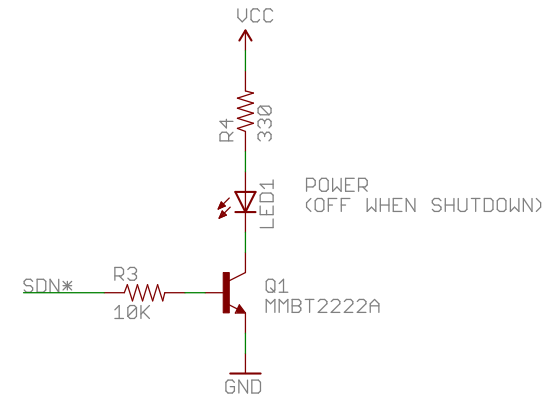
KEEP SPEAKER LEADS
 AS SHORT AS PRACTICAL
 TO MINIMIZE 250KHz EMI

FOR HIGHER GAIN, CHANGE R1, R2
 USING THROUGH-HOLE PADS R1A, R2A
 (SEE DATASHEET FOR VALUES)



UCC RANGE: 2.5V TO 5.5V

SDN* = SHUTDOWN INPUT
 < 2v = SHUTDOWN
 > 2V OR DISCONNECTED = ACTIVE



POWER
 (OFF WHEN SHUTDOWN)



SFE		SFE		⊗
TITLE: Mono Audio Amp (TPA2005D1) v10				
Document Number:			REV:	
Date: 2/8/2012 1:52:16 PM			Sheet: 1/1	