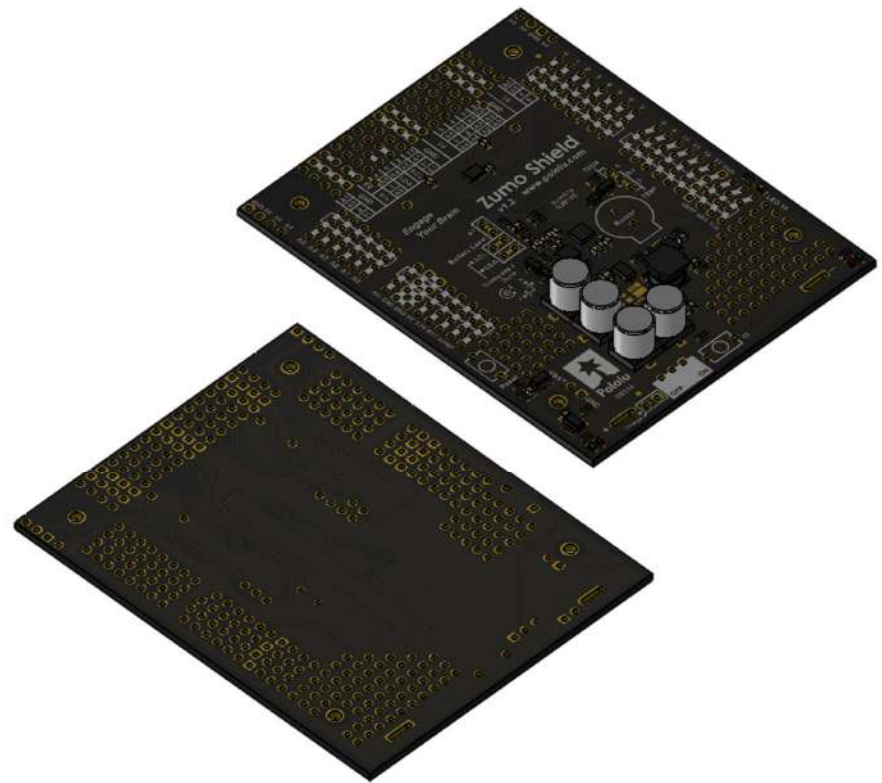
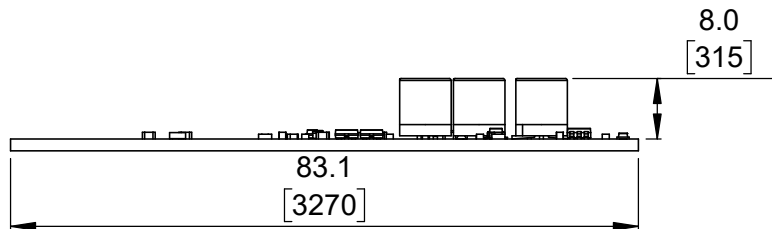


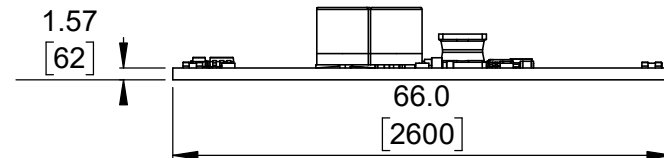
① Top view (actual size)  
Scale 1:1



② Isometric view  
Scale 4:5




③ Long profile  
Scale 1:1

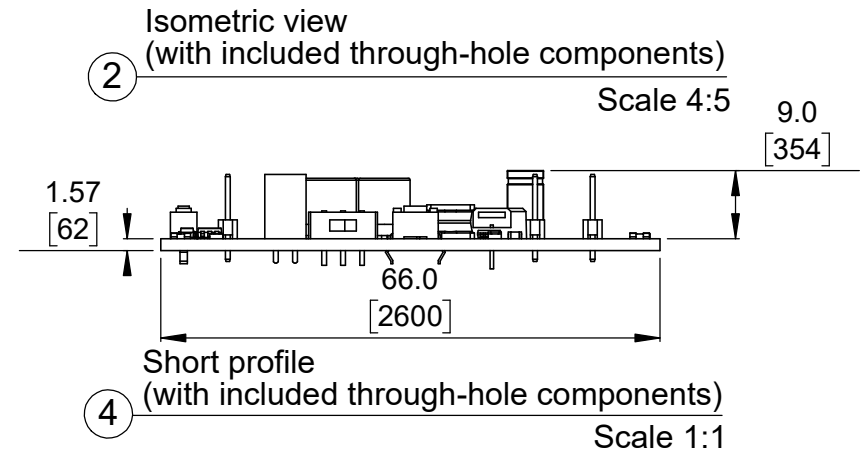
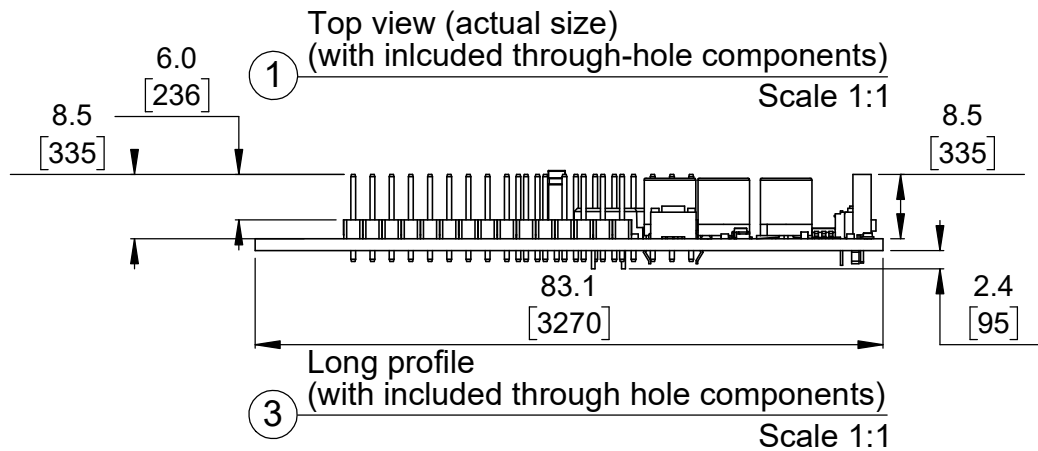
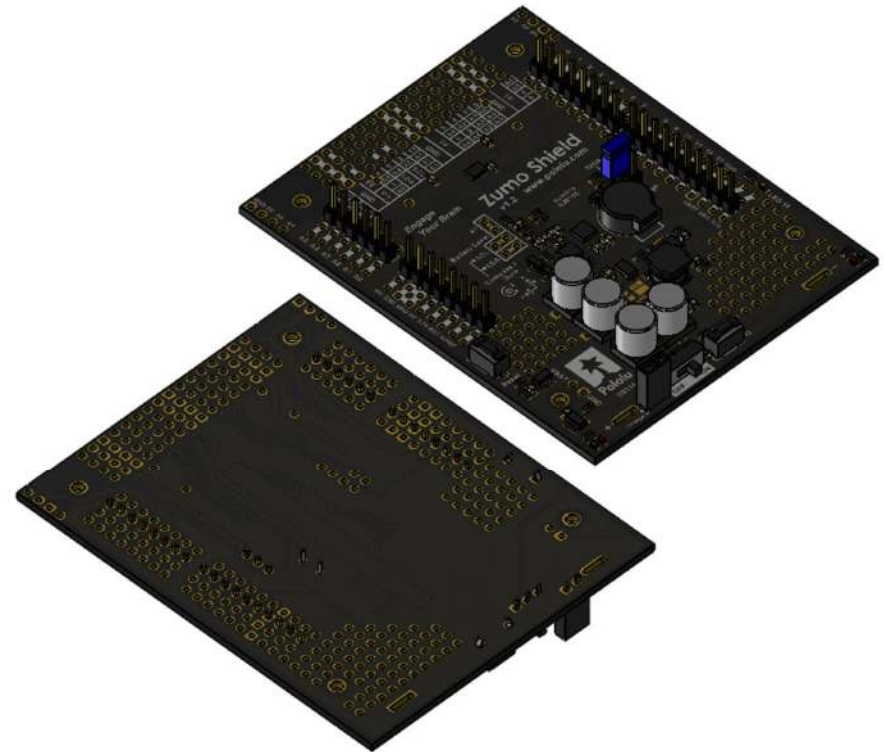
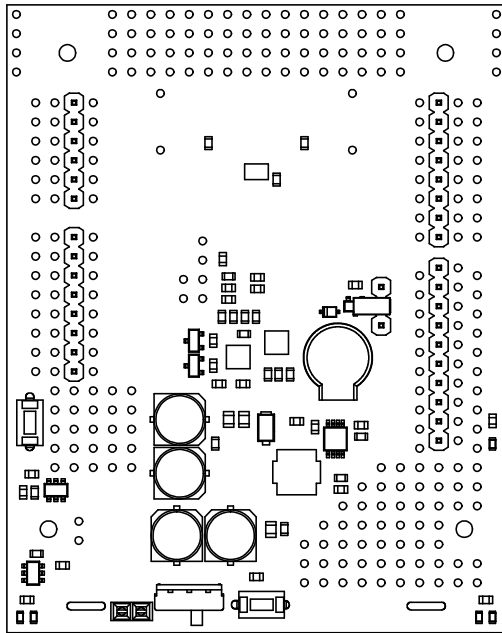


④ Short profile  
Scale 1:1

1. To get the specified scale, select 100% in print settings.
2. Drill location tolerance:  $\pm 0.1$  [ $\pm 5$ ].
3. Board edge tolerance:  $\pm 0.3$  [ $\pm 10$ ].


<https://www.pololu.com/product/2508>

Name: Zumo Shield for Arduino, v1.2		Item number: 2508
Drawing date: 15 August 2017	Dev code: zum01c	 <b>Pololu</b> Robotics & Electronics © 2017 Pololu Corporation
Units: mm [mil]	Material: mixed	

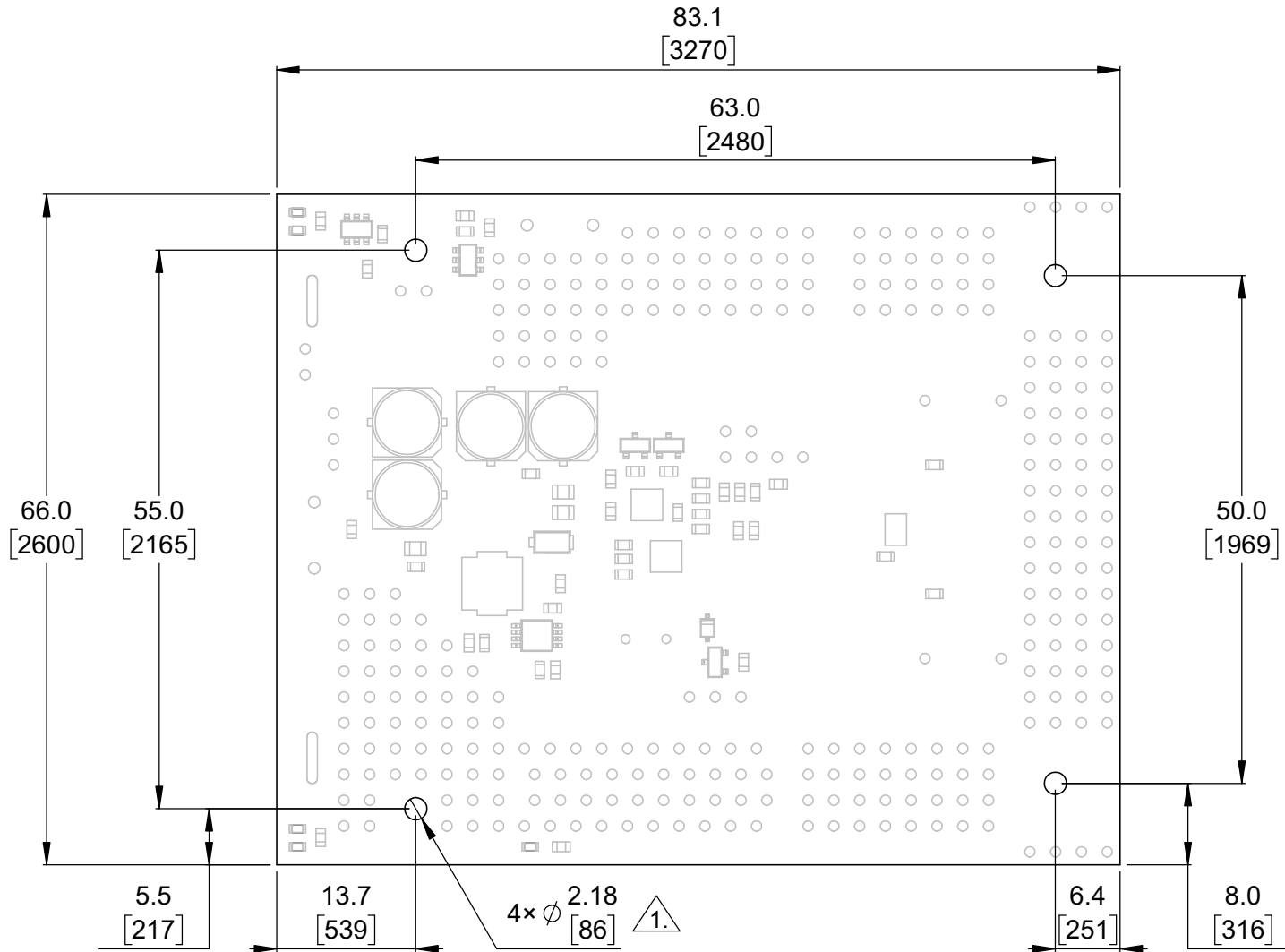


1. To get the specified scale, select 100% in print settings.
2. Drill location tolerance:  $\pm 0.1$  [ $\pm 5$ ].
3. Board edge tolerance:  $\pm 0.3$  [ $\pm 10$ ].

<https://www.pololu.com/product/2508>

Name: Zumo Shield for Arduino, v1.2		Item number: 2508
Drawing date: 15 August 2017	Dev code: zum01c	 <b>Pololu</b> Robotics & Electronics © 2017 Pololu Corporation
Units: mm [mil]	Material: mixed	

# Board dimensions (top view)



1. Intended for #2-56 screws.
2. To get the specified scale, select 100% in print settings.
3. Drill location tolerance:  $\pm 0.1$  [ $\pm 5$ ].
4. Board edge tolerance:  $\pm 0.3$  [ $\pm 10$ ].

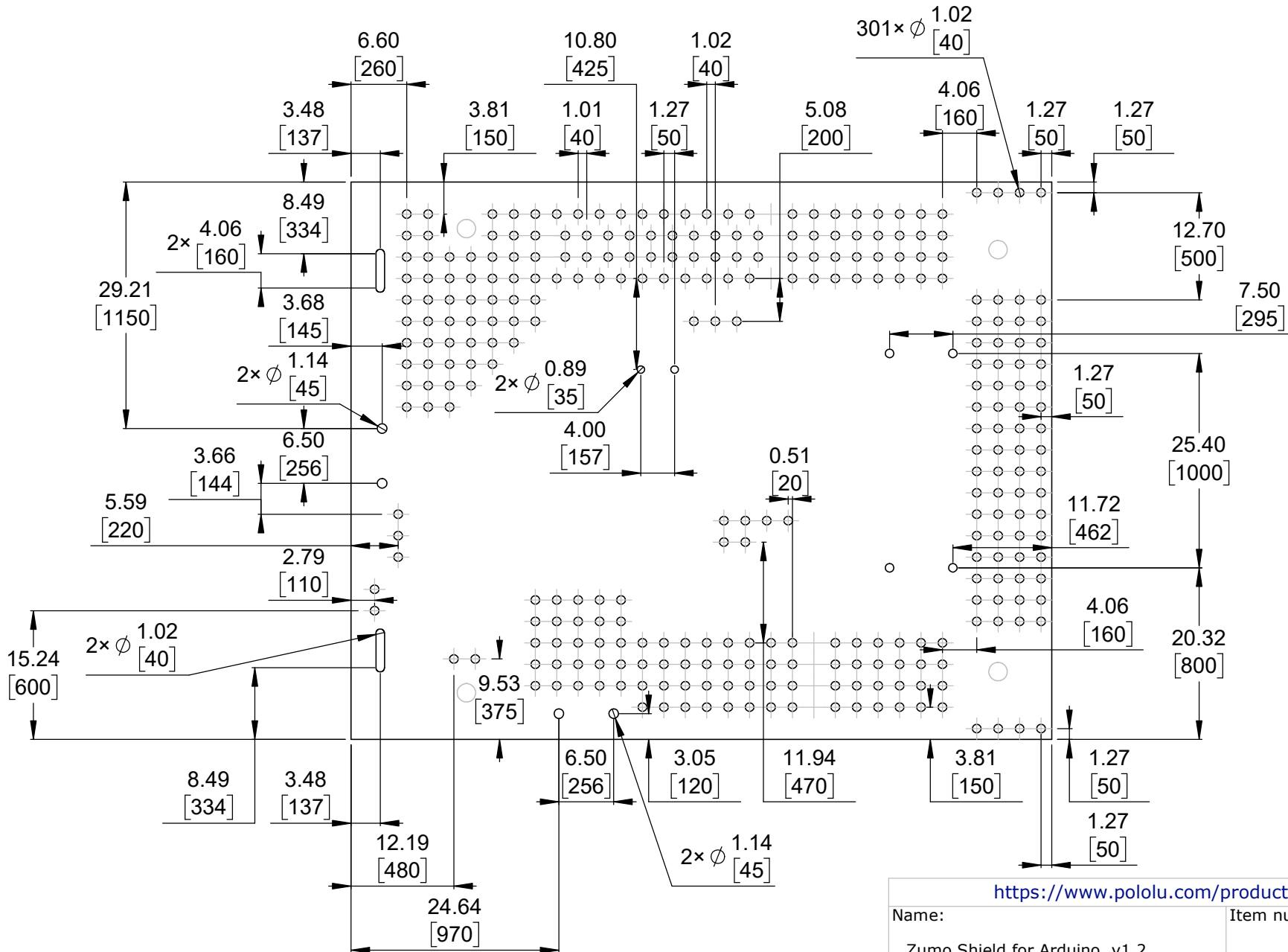
Scale: 3:2

<https://www.pololu.com/product/2508>

Name: Zumo Shield for Arduino, v1.2		Item number: 2508
Drawing date: 15 August 2017	Dev code: zum01c	
Units: mm [mil]	Material: mixed	

  
**Pololu**  
 Robotics & Electronics  
 © 2017 Pololu Corporation

# Connector callouts (bottom view)



1. Grid lines indicate 2.54mm [100 mil] spacing.
2. To get the specified scale, select 100% in print settings.
3. Drill location tolerance:  $\pm 0.1$  [ $\pm 5$ ].
4. Board edge tolerance:  $\pm 0.3$  [ $\pm 10$ ].

Scale: 3:2

<https://www.pololu.com/product/2508>

Name: Zumo Shield for Arduino, v1.2		Item number: 2508	
Drawing date: 15 August 2017		Dev code: zum01c	
Units: mm [mil]		Material: mixed	

