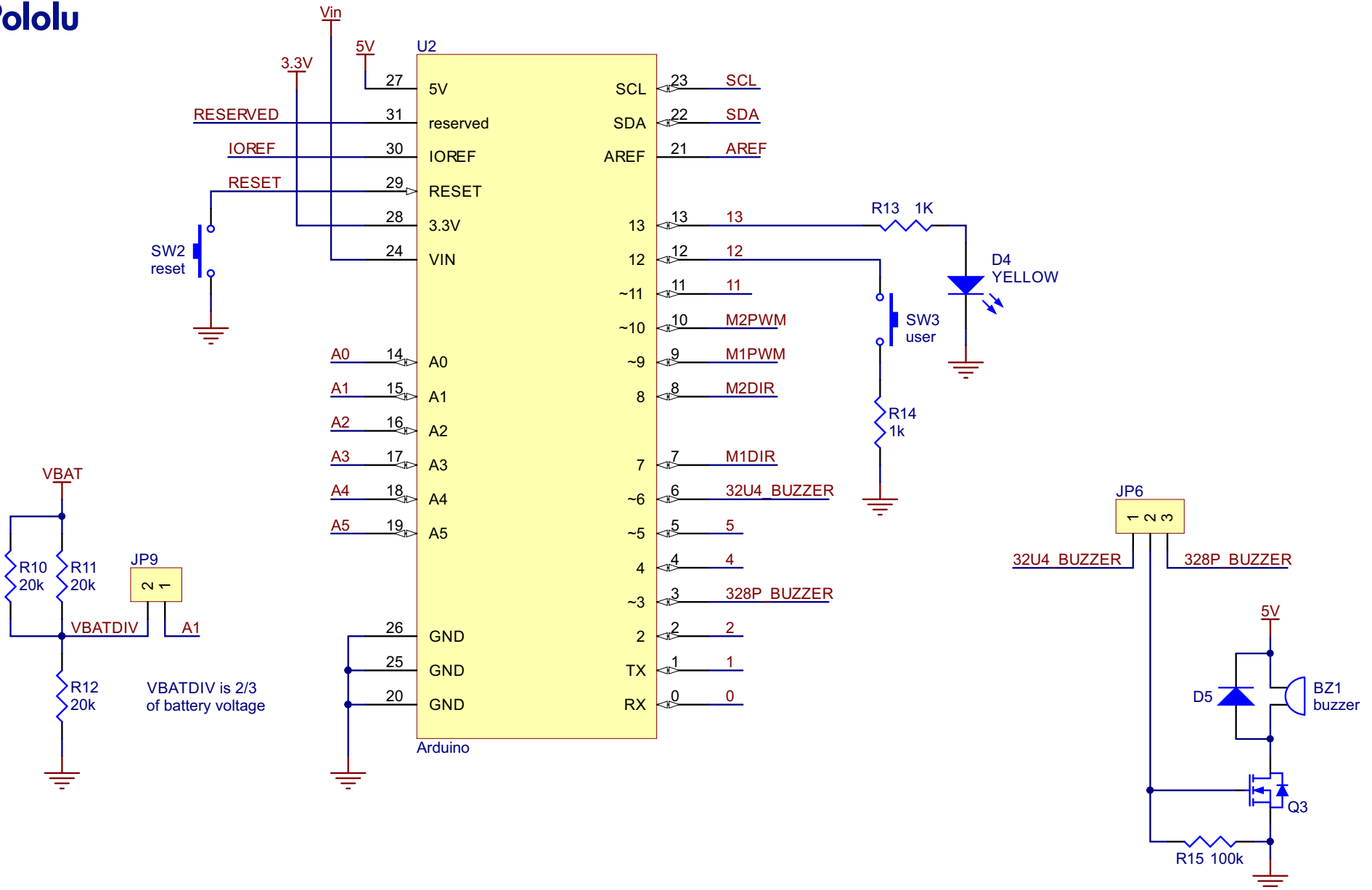




Pololu Zumo Shield for Arduino, v1.2

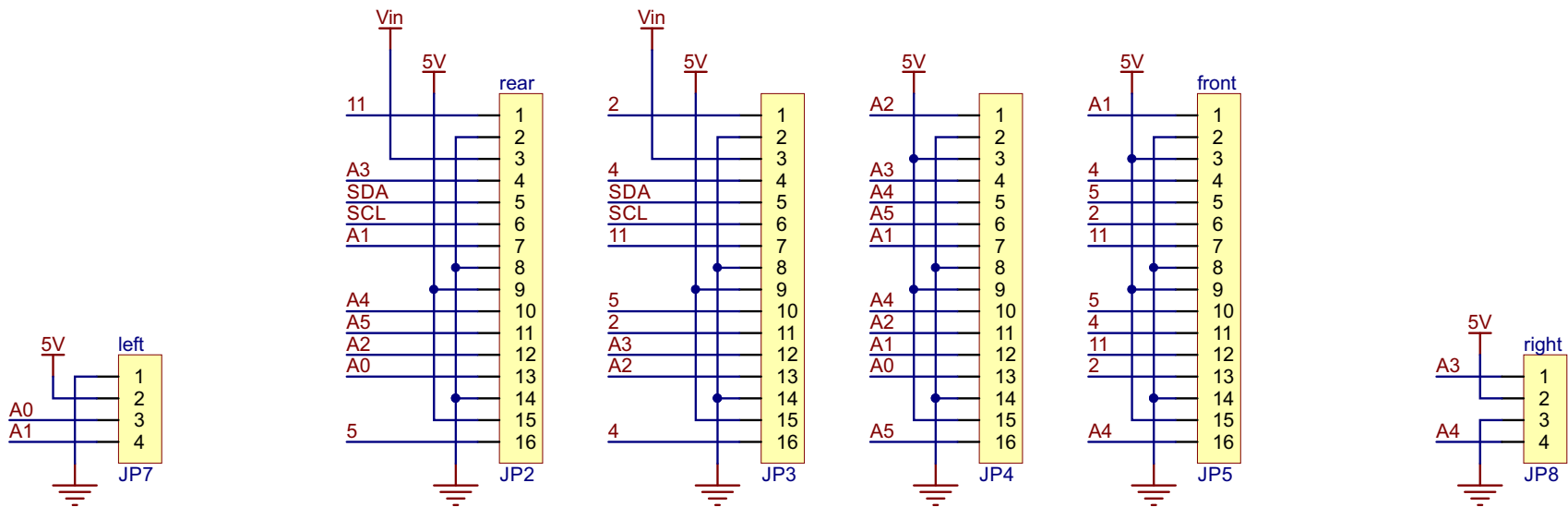
Schematic Diagram Primary Arduino connections





Pololu Zumo Shield for Arduino, v1.2

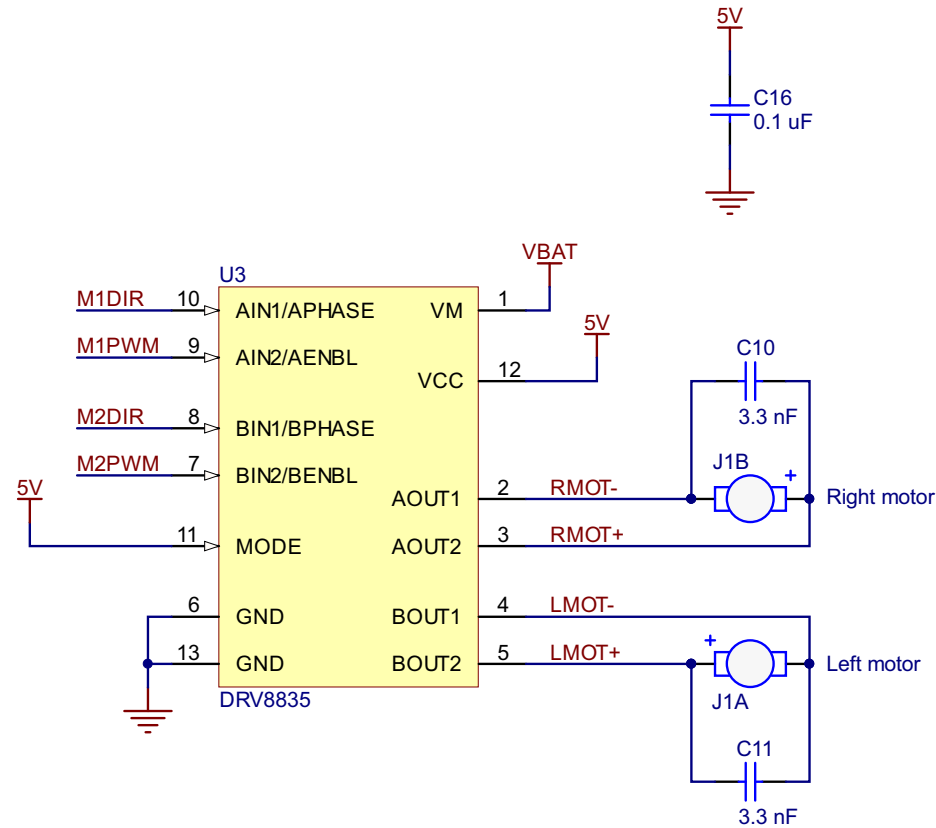
Schematic Diagram I/O expansion connections





Pololu Zumo Shield for Arduino, v1.2

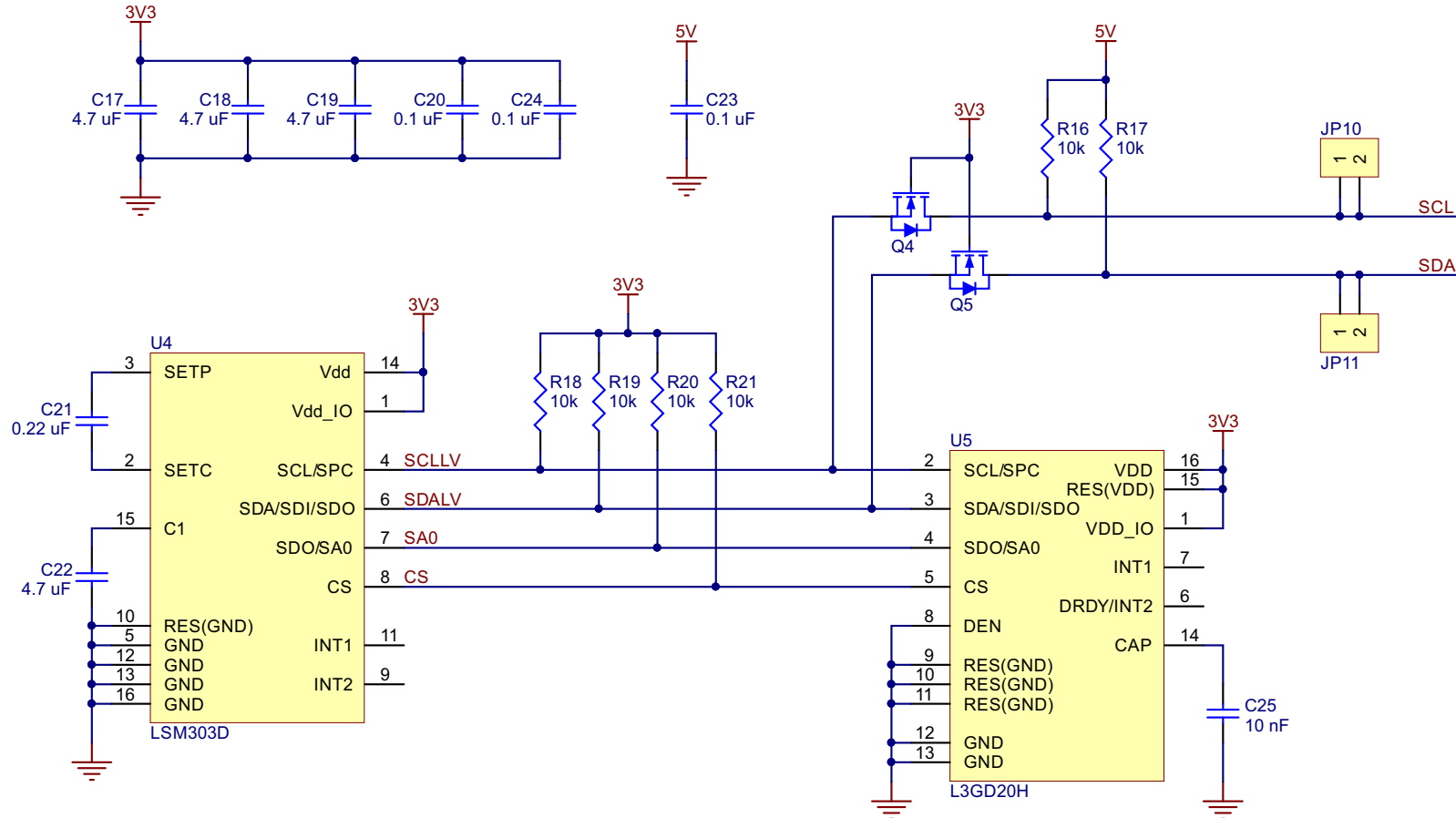
Schematic Diagram Motor driver





Pololu Zumo Shield for Arduino, v1.2

Schematic Diagram Inertial sensors (3-axis accelerometer, magnetometer, and gyro)





Pololu Zumo Shield for Arduino, v1.2

Schematic Diagram Main power and boost regulator

