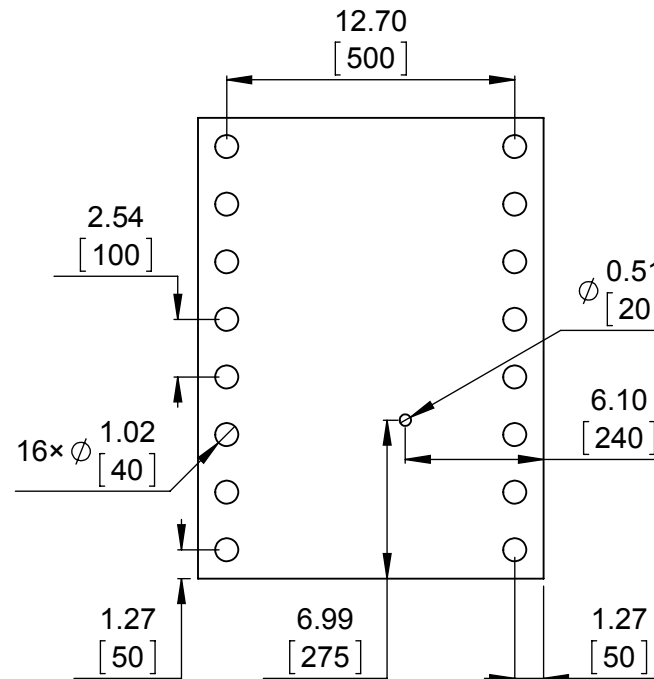
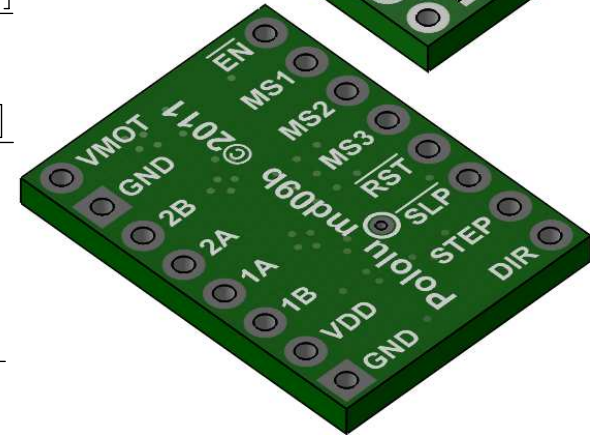
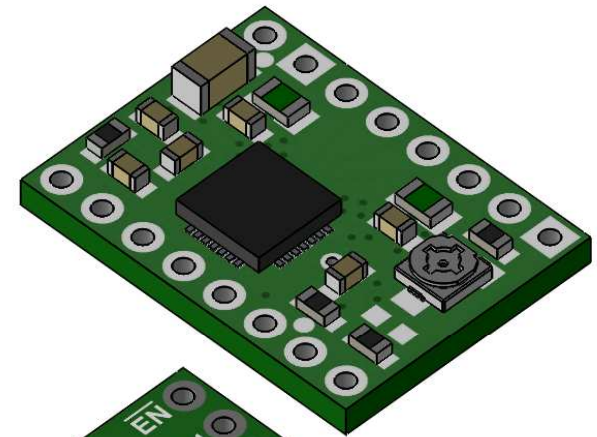


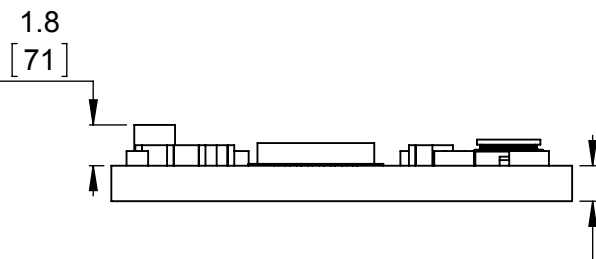
1 Board dimensions (top view)
Scale 3:1



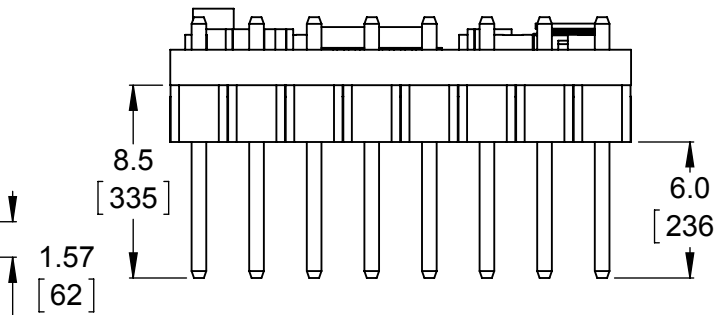
2 Connector callouts (bottom view)
Scale 3:1



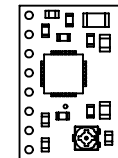
3 Isometric view
Scale 3:1



4 Profile
Scale 3:1



5 Profile with headers
Scale 3:1



6 Actual size
Scale 1:1

1. To get the specified scale, select 100% in print settings.
2. Drill location tolerance: ± 0.1 [± 5].
3. Board edge tolerance: ± 0.3 [± 10].

<https://www.pololu.com/category/156>

Name: **A4988 Stepper Motor Driver Carrier**

Item numbers:
1182, 2975, 2980, 2985

Drawing date:

15 December 2015

Units: mm
[mil]

PCB dev code:
md09b

Pololu
Robotics & Electronics
© 2015 Pololu Corporation