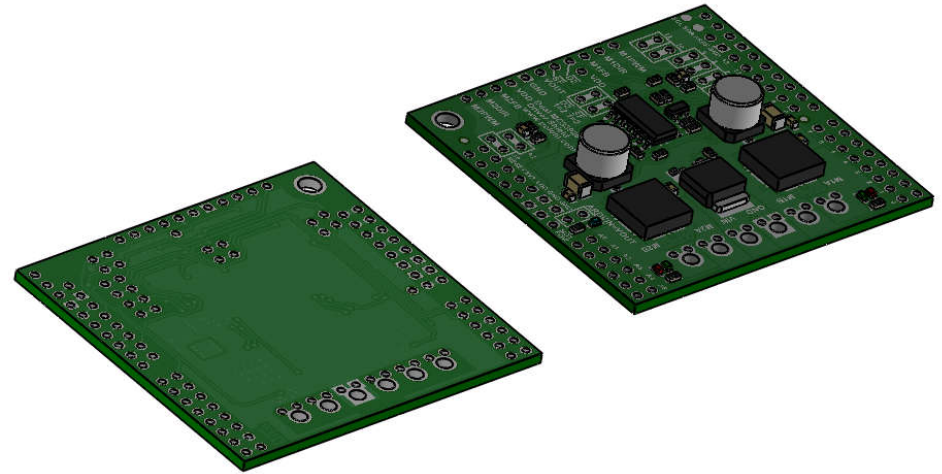
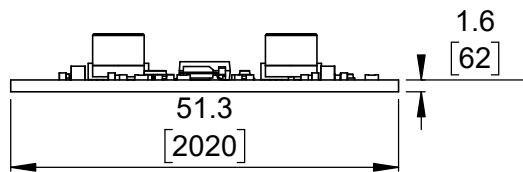


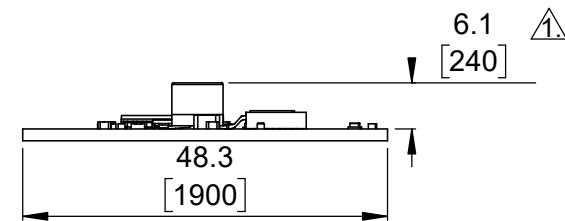
① Top view (actual size) Scale 1:1



② Isometric view Scale 1:1




③ Long profile Scale 1:1

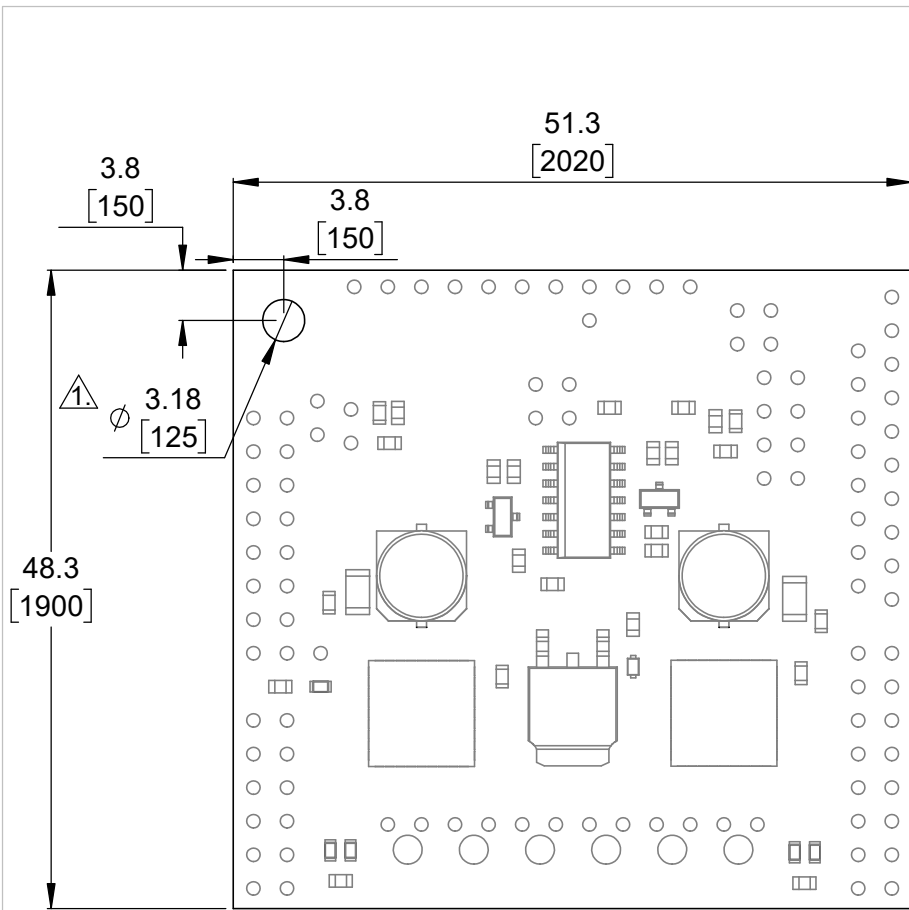


④ Short profile Scale 1:1

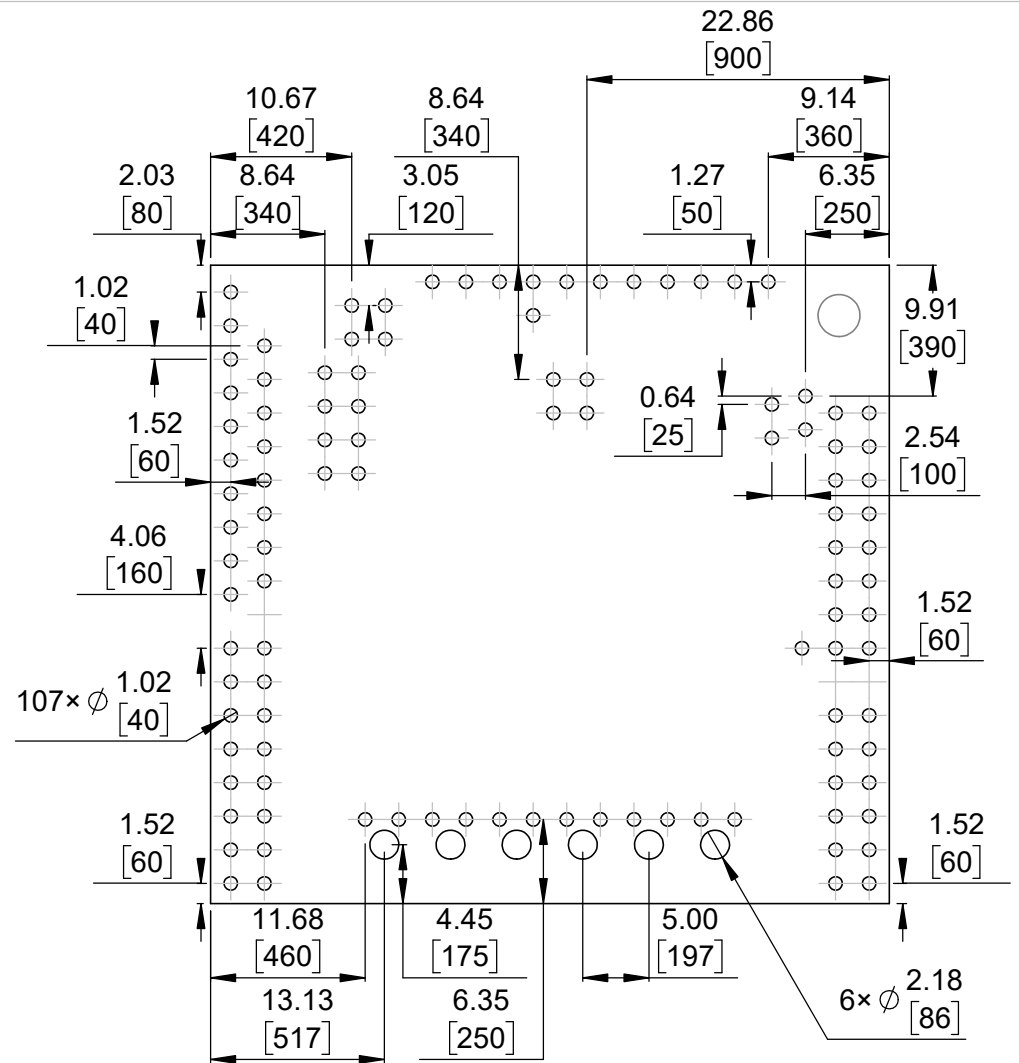
- ① Heights of capacitors above the board are 7.8mm [307 mil] for boards manufactured prior to December 2014.
- 2. To get the specified scale, select 100% in print settings.
- 3. Drill location tolerance:  $\pm 0.1$  [ $\pm 5$ ].
- 4. Board edge tolerance:  $\pm 0.3$  [ $\pm 10$ ].

<https://www.pololu.com/product/2503>

Name: Pololu Dual MC33926 Motor Driver Shield for Arduino		Item number: 2503
Drawing date: 08 December 2017	Dev code: ash03a	 © 2017 Pololu Corporation
Units: mm [mil]	Material: mixed	



① Board dimensions (top view)  
Scale 7:4



② Connector callouts (bottom view)  
Scale 7:4

1. Intended for M3 or #4-40 screws.
2. Grid lines indicate 2.54mm [100 mil] spacing.
3. To get the specified scale, select 100% in print settings.
4. Drill location tolerance:  $\pm 0.1$  [ $\pm 5$ ].
5. Board edge tolerance:  $\pm 0.3$  [ $\pm 10$ ].

<a href="https://www.pololu.com/product/2503">https://www.pololu.com/product/2503</a>	
Name: Pololu Dual MC33926 Motor Driver Shield for Arduino	Item number: 2503
Drawing date: 08 December 2017	Dev code: ash03a
Units: mm [mil]	Material: mixed