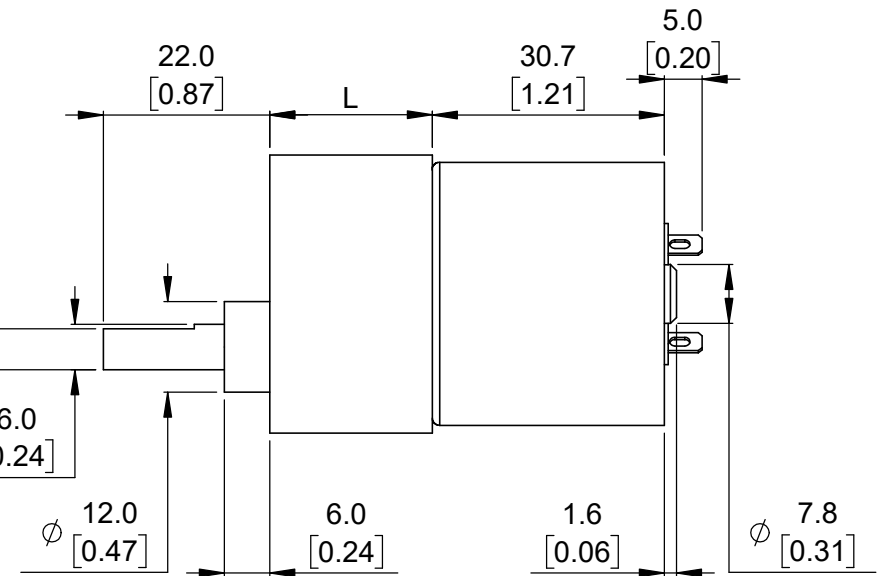
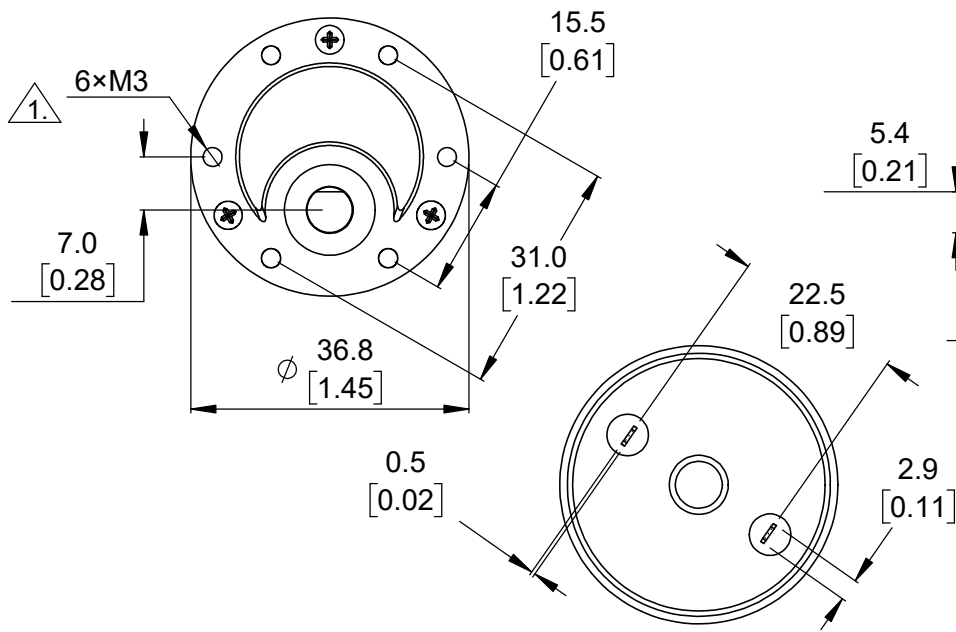
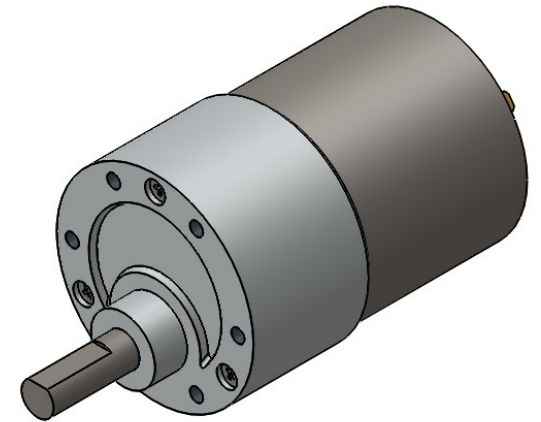


Gear ratio	L
6.3:1, 10:1	20.0 mm [0.79 in]
19:1, 30:1	21.5 mm [0.87 in]
50:1, 70:1	24.0 mm [0.94 in]
100:1, 131:1, 150:1	26.5 mm [1.04 in]



1. Threaded to a depth of 3.0 mm [0.12 in]; exceeding this depth can damage gears in the gearbox.
2. To get the specified scale, select 100% in print settings.

Scale: 1:1

<https://www.pololu.com/category/116/37d-mm-gearmotors>

Name:
37D mm Metal Gearmotors (without encoder)

Item number:
2829, 4681-4689, 4741-4748

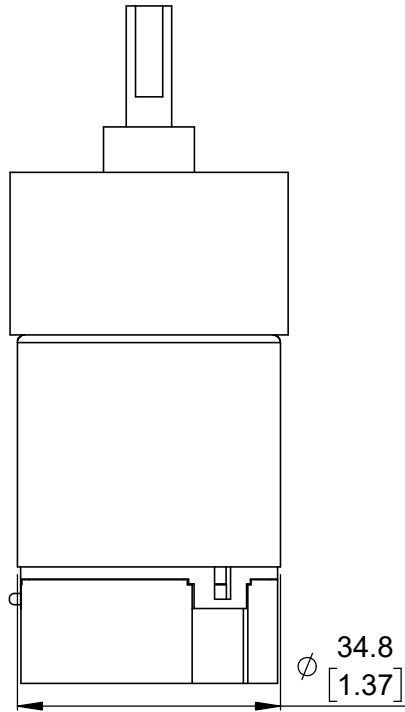
Drawing date:
10 January 2020

Dev code:
—

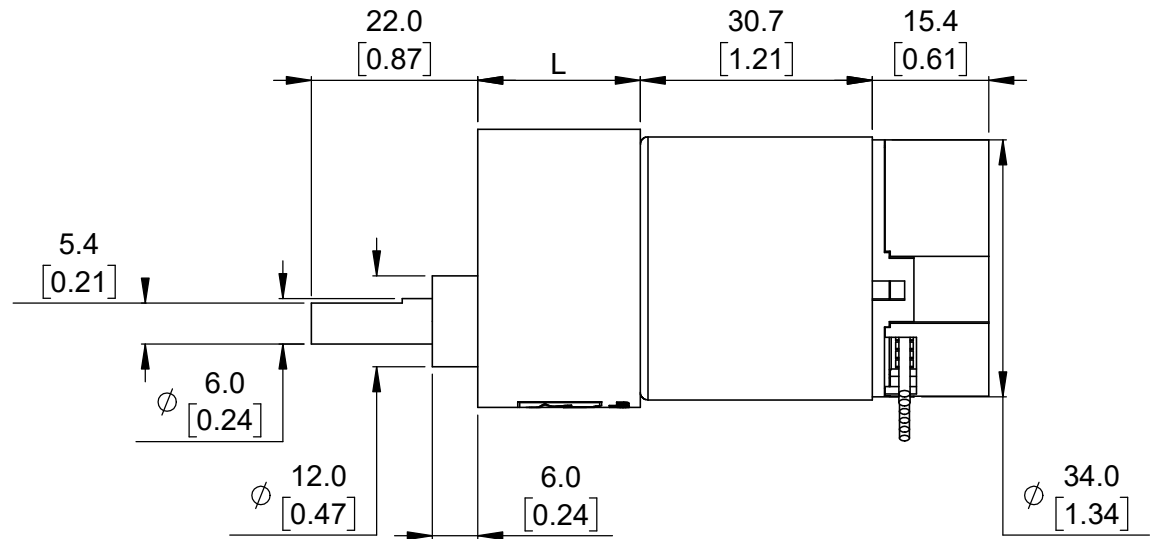
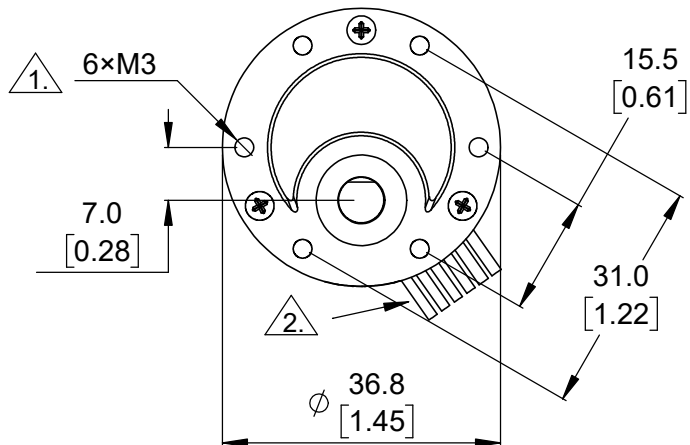
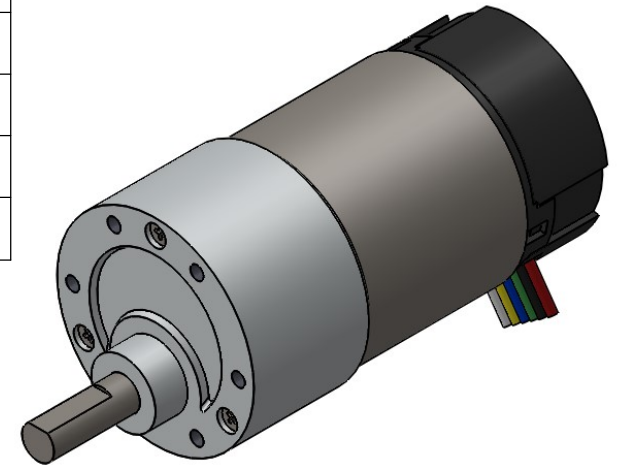
Units: mm [in]

Material:
Mixed


Pololu
Robotics & Electronics
© 2019 Pololu Corporation



Gear ratio	L
6.3:1, 10:1	20.0 mm [0.79 in]
19:1, 30:1	21.5 mm [0.87 in]
50:1, 70:1	24.0 mm [0.94 in]
100:1, 131:1, 150:1	26.5 mm [1.04 in]



1. Threaded to a depth of 3.0 mm [0.12 in]; exceeding this depth can damage gears in the gearbox.

2. Leads are approximately 200 mm [8 in] long and are terminated by a 1×6 female header with a 2.54 mm [0.1 in] pitch.

3. To get the specified scale, select 100% in print settings.

Scale: 1:1

<https://www.pololu.com/category/116/37d-mm-gearmotors>

Name:

37D mm Metal Gearmotors with 64 CPR Encoder

Item number:

2828, 4691-4699, 4751-4758

Drawing date:
10 January 2020

Dev code:

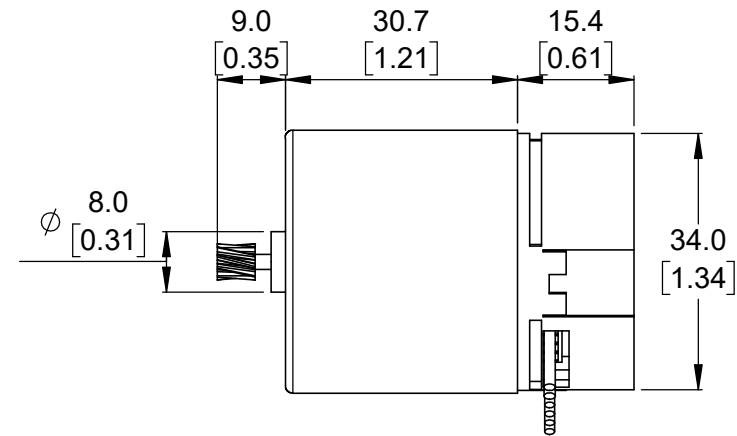
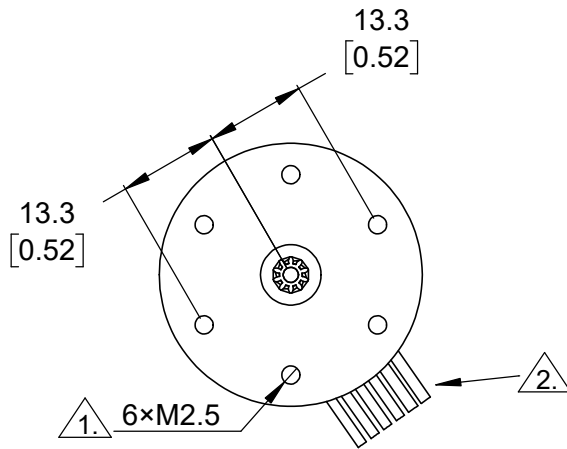
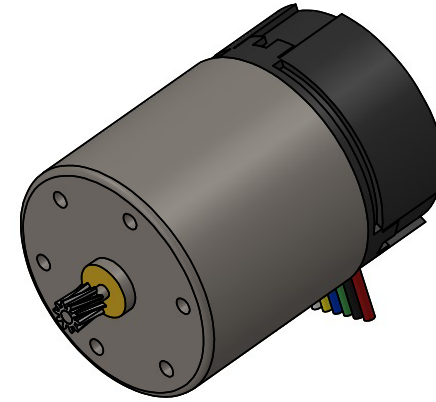
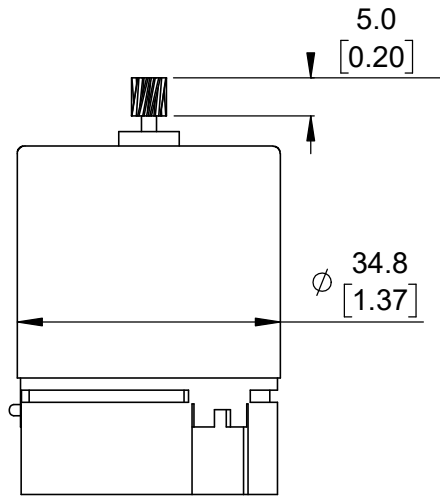
—

Units: mm [in]

Material:

Mixed


Pololu
Robotics & Electronics
© 2019 Pololu Corporation



1.

Threaded to a depth of 3.5 mm [0.14 in]; exceeding this depth can damage the motor.

2.

Leads are approximately 200 mm [8 in] long and are terminated by a 1×6 female header with a 2.54 mm [0.1 in] pitch.

3.

To get the specified scale, select 100% in print settings.

Scale 1:1

<https://www.pololu.com/category/116/37d-mm-gearmotors>

Name:
Motor with 64 CPR Encoder for 37D
mm Metal Gearmotors (No Gearbox,
Helical Pinion)

Item number:
4750, 4690

Drawing date:
10 January 2020

Dev code:
—

Units: mm
[in]

Material:
Mixed


Pololu
Robotics & Electronics
© 2019 Pololu Corporation