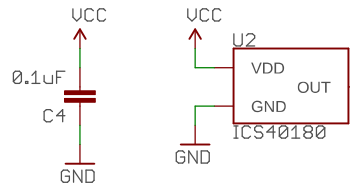


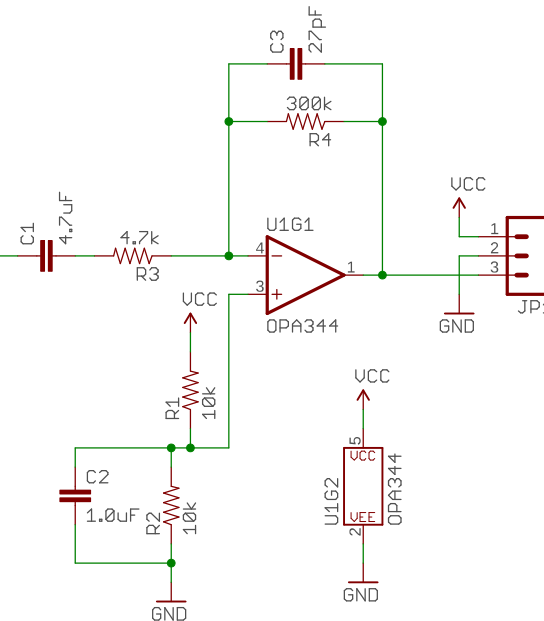
## MEMS Microphone

UCC RANGE:  
1.5-3.6V



## Gainstage

GAIN: \*64  
Frequency Response: 7.2Hz-19.7KHz  
Bias: 1/2\*UCC



Released under the Creative Commons  
Attribution Share-Alike 4.0 License  
<https://creativecommons.org/licenses/by-sa/4.0/>

TITLE: SparkFun\_Analog\_MEMS\_Microphone\_Breakout\_ICS40180

Design by: Pete Lewis

REV:  
v10

Date: 4/13/2021 1:16 PM

Sheet: 1/1